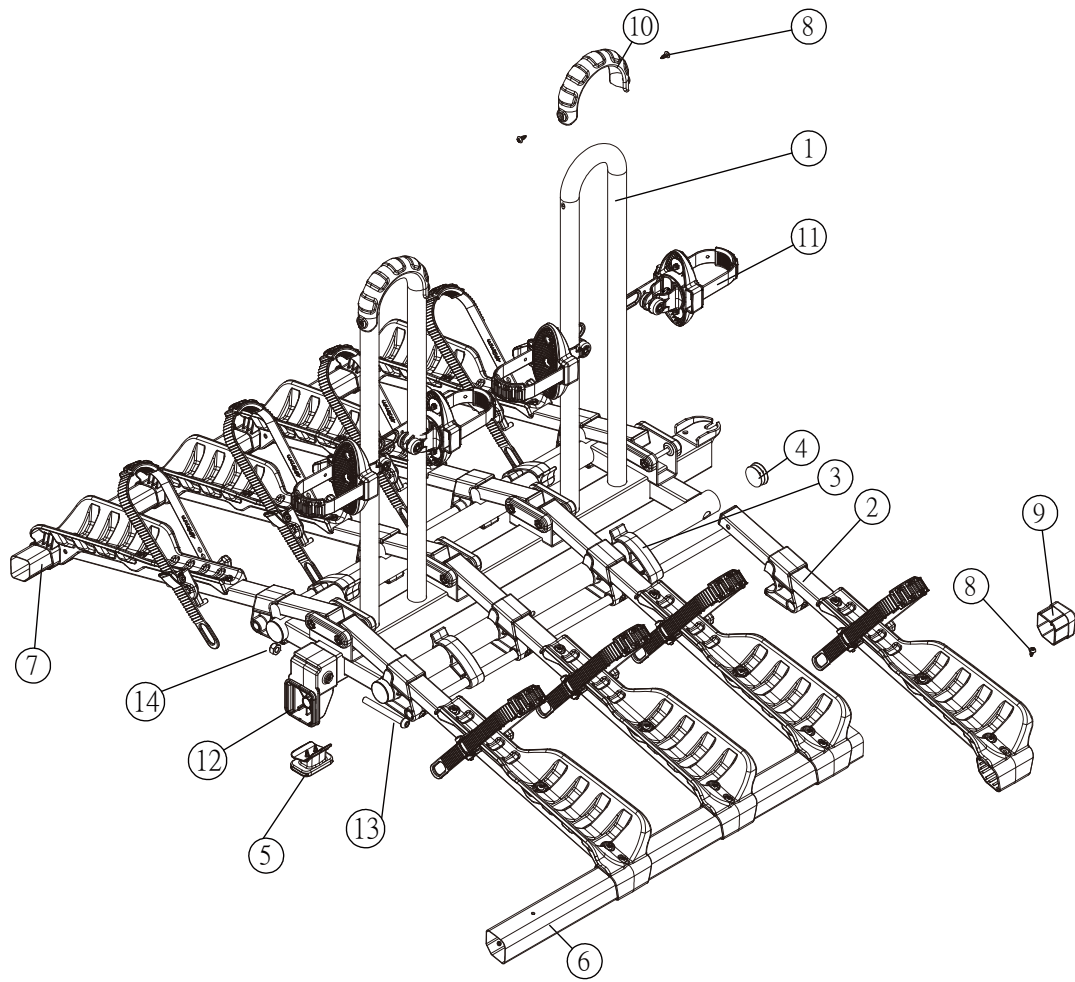


PART	DESCRIPTION	PART NUMBER	QTY.	PACK SIZE	PART	DESCRIPTION	PART NUMBER	QTY.	PACK SIZE
1	Foot assembly								
2	Platform assembly								
3	Screw Ø4.75x16mm	140-1682-006-04D							
4	License plate holder	3508-00455-01C							
5	Light kit								
6	Rubber strap tor storage	130-00751-16C							
7	C-cable clip	130-00754-01C							
8	Safety strap	3522-00197-03C-01							
9	Key K001~K010	47-0040-000-04							
10	Allen key	144-00009-19D							
11	Clip 1.0"	3509-00245-16C							
12	Locking cable	3510-00054-99C							
13									
14									
15									



PART	DESCRIPTION	PART NUMBER	QTY.	PACK SIZE	PART	DESCRIPTION	PART NUMBER	QTY.	PACK SIZE
1	Platform assembly								
2	Wheel support tube assembly								
3	Safety clip	130-00418-16C							
4	End cap Ø1.25	130-00767-01C							
5	License plate holder clip	130-00722-01C							
6	Right aluminium extrusion	3420-00019-44P							
7	Left aluminium extrusion	3420-00020-44P							
8	Screw Ø4.8x12mm	140-1782-002-04D							
9	End cap	130-00737-01C							
10	Plastic cover	130-00608-16C							
11	Cradle assembly	3509-00326-16C							
12	License holder Cap	130-00718-01C							
13	Button head screw M6x55mm	140-1106-013-04D							
14	Nylock nut M6x1.0	141-0106-001-04D							
15									
16									
17									
18									
19									

