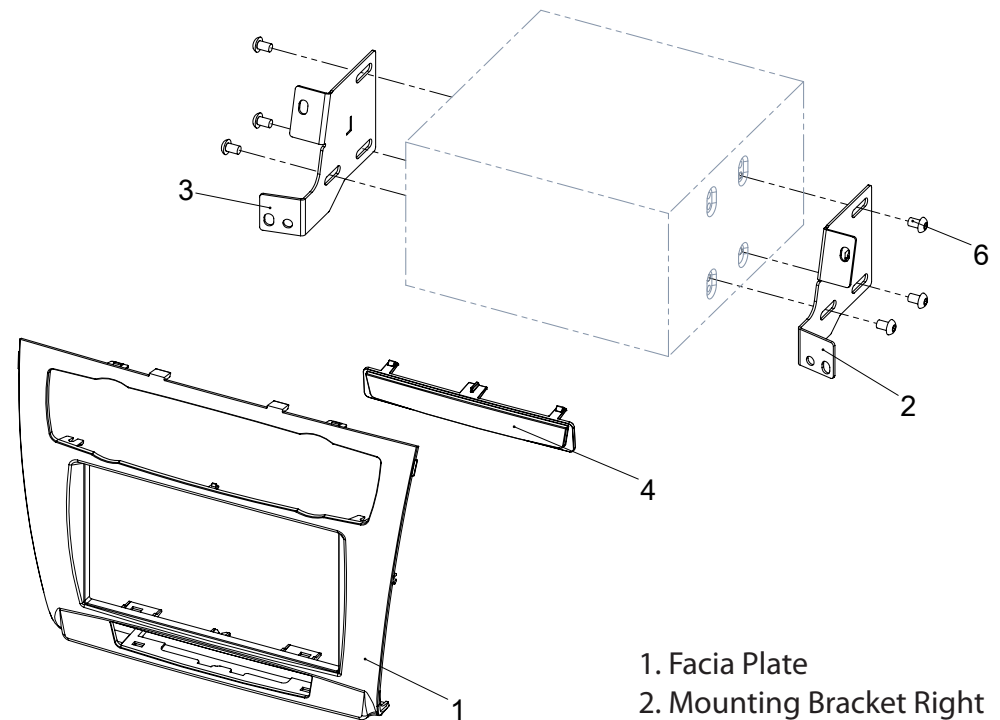


- **BMW 1 (E87) 03/2007-> (facelift)**
  - **with automatic air condition**
  - **without iDrive**



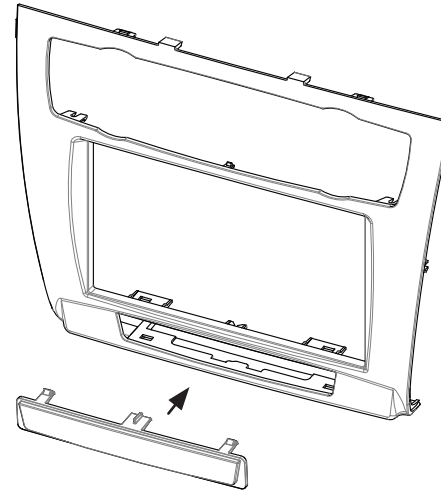
1. Facia Plate
  2. Mounting Bracket Right
  3. Mounting Bracket Left
  4. Blanking Cover\*
- \* only required for models without switch panel under climate control



1. BMW 1 (E87) 03/2007 (facelift)  
with switch bar under the climate control unit

BMW without switch panel under climate control unit (see left)

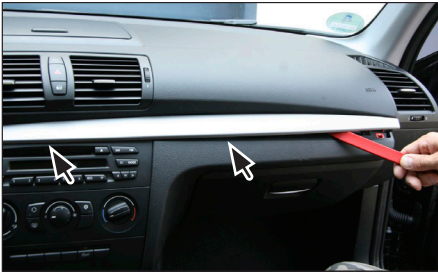
- see note on page 7



Note:

Only for BMW without switch panel under climate control unit:

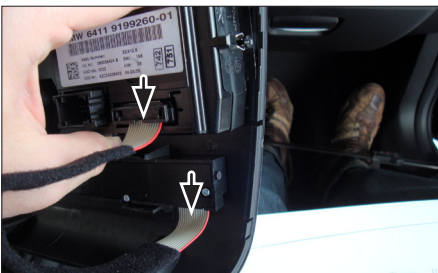
Attach blanking cover to facia plate (see arrow)



2. Unclip middle panel and remove it carefully

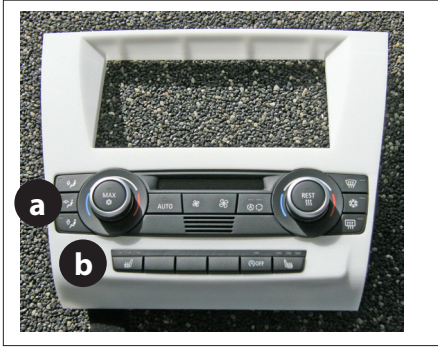


3. Unclip air condition control unit

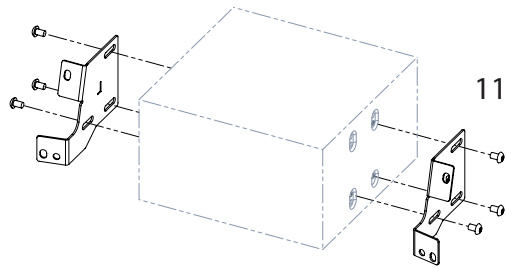


4. Pull out air condition control unit carefully

Remove pulgs (see arrows)



10. Attach air condition control unit (a) and switch bar (b) to replacement fascia plate



11. Attach mounting brackets to double DIN navigation

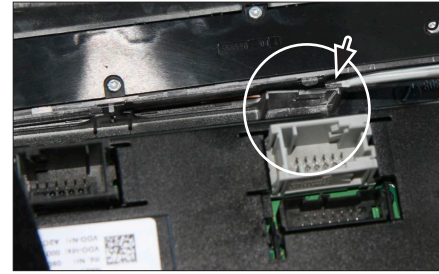
Connect all required circuit points

Fix Double-DIN navigation on dashboard



12. Push fascia plate over Double DIN navigation - until it snaps in

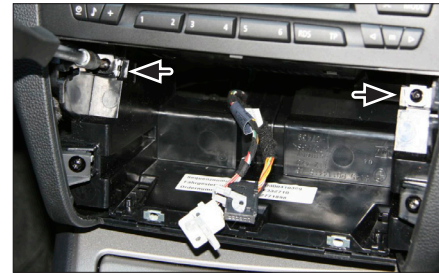
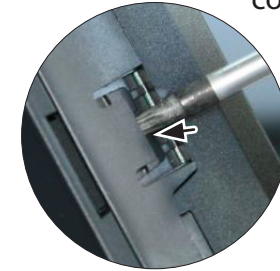
Reinstall everything in reverse order to finish installation



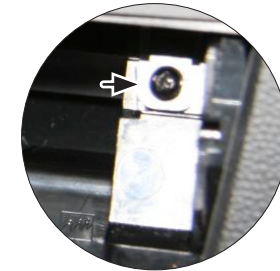
5. Unclip and remove switch panel below air condition control unit

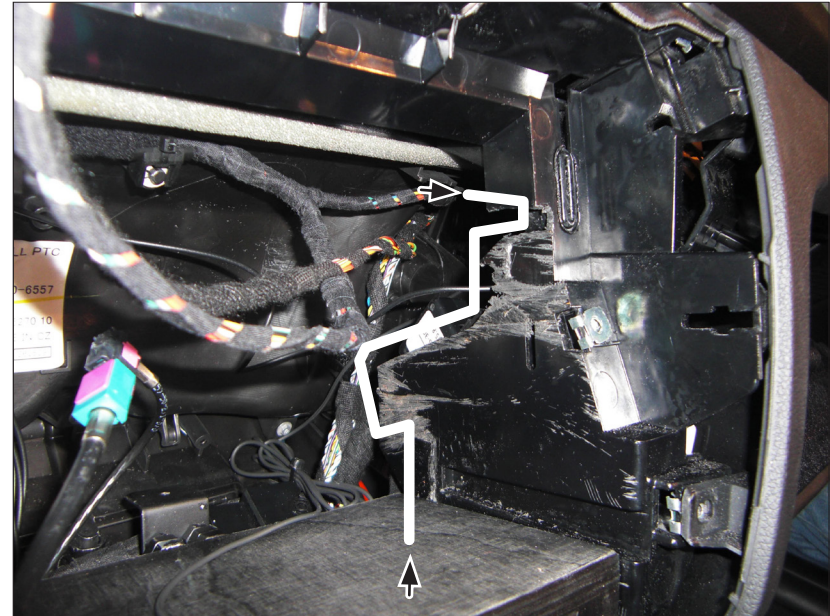
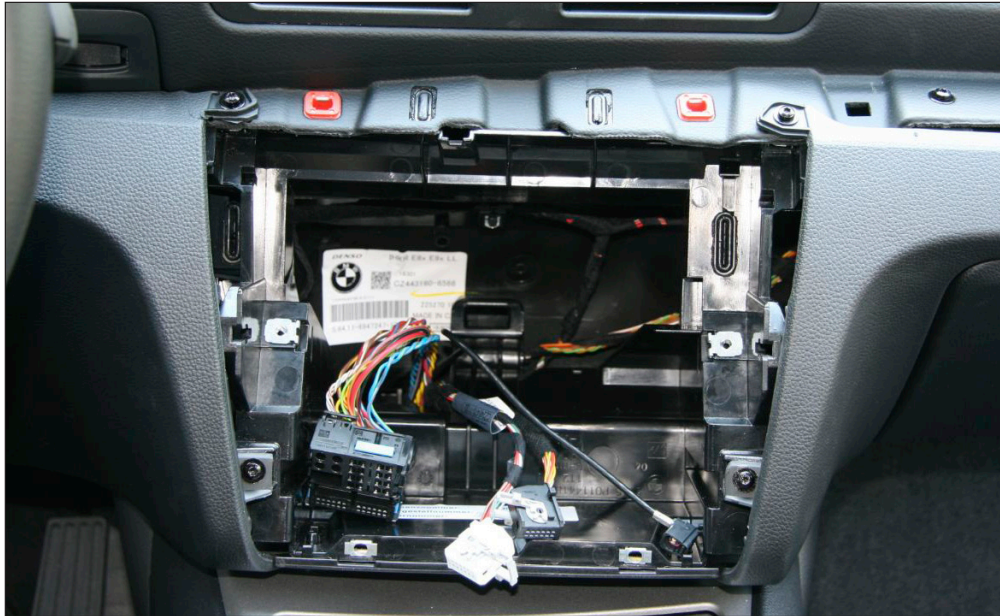
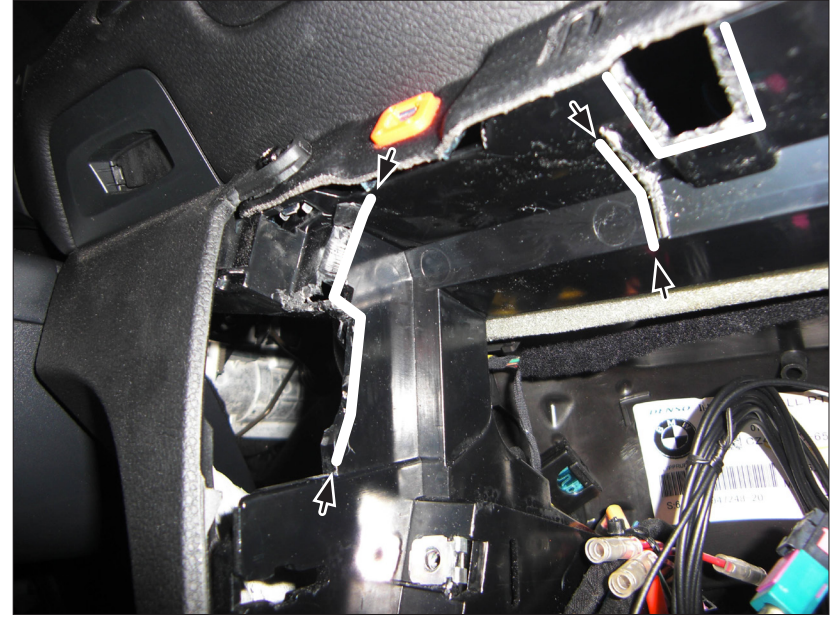


6. Unclip and remove air condition control unit



7. Remove screws below OEM head unit (see arrows)





8. Remove out OEM head unit

9. Cut away plastic to clear space for Double DIN head unit (see sample images)