

# PARKONE X

Developed by Needit Denmark  
Designed by John Sebastian

## Brugervejledning

### Inden montering

Vend P-skiven med bagsiden opad. Sæt en eller flere negle ind i sprækken øverst på den runde bagklap og træk låget af.

#### A: Aktiver batteriet

Fjern forsigtigt plaststrimlen og pres batteriet på plads igen, hvis det løsner sig. Skulle batteriet falde ud, indsættes det igen med + opad (samme side som den med tekst). Er batteriet korrekt placeret, blinker "timer" i displayet. (Der kan gå lidt tid, før tallet i displayet blinker).

#### B: Indstil det digitale ur

(Uret i **ParkOne X** indstiller selv både sommer- og vintertid, men funktionen kan om nødvendigt deaktiveres manuelt, se C:)

1. Når "timer" blinker, skal du trykke gentagne gange på knap ②, indtil time tallet er korrekt indstillet.
2. Tryk én gang på knap ①, og "minutter" blinker. Indstil minutter med knap ②.
3. Indstil år, måned og dato som ovenfor (i nævnte rækkefølge).
4. Når du har indstillet ovenstående oplysninger, må ingen tal i displayet blinke.

Bemærk dog at de to prikker (:) imellem klokkeslættet blinker hele tiden. Hvis ét af tallene blinker, tryk da gentagne gange på knap ① indtil ingen af tallene blinker.

Hvis du opdager, at du har indstillet **ParkOne X** forkert, kan du altid begynde forfra på indstillingerne ved at holde knap ① inde, til tallet "timer" blinker.

Det anbefales at kontrollere urets indstillinger jævnligt, især ved skift mellem sommer- og vintertid.

1

#### C: Aktivering/deaktivering af sommertid/vintertid.

Det digitale ur er som standard indstillet til selv at skifte mellem sommer- og vintertid. Men hvis du befinder dig i et land, hvor der ikke skiftes, kan du deaktivere funktionen ved at følge nedenstående trin:

Aktiver indstillingstilstand ved at trykke på både knap ① og ②, indtil "timer" og "minutter" viser "oN:Su".

Slip langsomt knap ①.

Hold knap ② inde til displayet viser "oF:Su".

Displayet vender automatisk tilbage til funktionstilstand.

**Din ParkOne X er nu klar til montering indvendigt på bilens forrude.**

#### Montering af ParkOne X

Find det bedste sted indvendigt på forrudens nederste højre hjørne (lovkrav), hvor alle fire klæbepuder berører ruden. Sørg for at du har adgang til alle knapperne på bagsiden af uret, og at du kan komme til at skifte batteriet.

1. Gør ruden ren indvendigt med en fugtig klud, hvor P-skiven skal monteres. Tør ruden og brug derefter den medfølgende renseserviet til at rense området grundigt. (Kun den medfølgende serviet må bruges – ikke andre rensedmidler.)
2. Sørg for at ruden er mindst +15°C, da klæbepuderne ikke fungerer tilfredsstillende ved lavere temperaturer. Varm eventuelt ruden op med bilens blæser eller (med forsigtighed) en hårtørrer.

2

3. Fjern beskyttelsesfolien fra de fire klæbepuder og pres P-skiven hårdt ind mod ruden i ca. 30 sekunder. Undgå at presse på bagsidens midte. Kontroller derefter udefra at alle fire puder klæber ordentligt til ruden.
4. Du har nu monteret din **ParkOne X** og er klar til at køre.

#### NB!

**ParkOne X må ikke ligge løst i bilen men skal være fastmonteret på ruden for at fungere korrekt.**

#### Sådan fungerer ParkOne X

Når du parkerer bilen, stiller **ParkOne X** sig automatisk frem til nærmeste kvarter efter ankomsttidspunktet (f.eks. ved ankomst 10:07 stiller **ParkOne X** sig på 10:15).

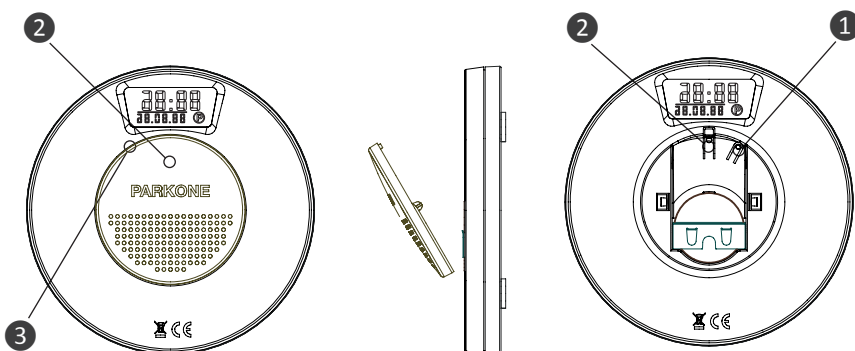
#### Manuel indstilling

Som loven kræver det, kan din **ParkOne X** også stilles manuelt. BEK. nr. 327 af 9/04/2003 (§3 stk. 3): "Såfremt der under et køretøjs parkering indtræder en periode uden tidsbegrænsning, skal viseren senest ved periodens udløb indstilles på det tidspunkt, hvorfra der på ny gælder en tidsbegrænsning." Hvis du har behov for at stille din **ParkOne X** manuelt, skal du blot trykke på knap ②, og uret tæller frem i intervaller på 15 minutter. Hold knappen inde og slip, når det ønskede tidspunkt vises. Bemærk at denne funktion kun er tilgængelig, når **ParkOne X** er i parkeringstilstand.

#### Batteri

Ved lavt batteri aktiveres højtaleren ③, der vil afgive en alarm (5 x bip som gentages 3 gange) for at gøre opmærksom på, at batteriet skal udskiftes inden for en uge. Alarmen afgives, når parkeringstilstand aktiveres og forlades.

3



Tillykke med din nye ParkOne X  
www.parkonex.dk

4

### Vedligeholdelse

Udsæt ikke **ParkOne X** for ekstreme temperaturer (under -20°C eller over +75°C), da det kan ødelægge elektronikken og/eller påvirke reaktionstiden.

Hvis **ParkOne X** bliver udsat for stærk fugt eller vand, skal den straks aftørres med en ren klud. Brug kun en klud til at rengøre skiven. Der må ikke anvendes rengøringsmidler.

### CE-mærkning

Med CE-mærket erklærer Needit Denmark ApS, at vores produkt opfylder de generelle sikkerhedskrav i relevante CE-mærkningsdirektiver. Med CE-mærket garanterer producenten, at produktet er fremstillet i overensstemmelse med fælleseuropæiske krav til sikkerhed, sundhed og miljø. Needit Denmark ApS erklærer hermed, at denne parkeringsskive er i overensstemmelse med (CE) EN 61000-6-3 (Electromagnetic Compatibility – Part 6-3: Generic Standards – Emission standard for residential, commercial and light-industrial environments) and (CE) EN 61000-6-1 (Electromagnetic Compatibility – Part 6-1: Generic Standards – Immunity for residential, commercial and light-industrial environments).

### WEEE

Elektriske og elektroniske komponenter (EEE) og materialer kan være farlige og skadelige for helbred og miljø og skal bortskaffes korrekt. ParkOne X må ikke bortskaffes sammen med almindeligt husholdningsaffald men skal indsamles særskilt. Batteriet kan afleveres hos forhandlere af batterier, og selve **ParkOne X** kan afleveres på den lokale genbrugsstation eller der, hvor P-skiven er købt.



5

### Specifikationer og rettigheder

Størrelse i cm: **10 x 10 x 1,6**

Batterispecifikation: **Knapbatteri nr. CR 2477 - 3 Volt**

Batteriets levetid: **Op til 5 år**

Urets nøjagtighed (gns.): **± 2 min./2 år**

Reaktionstid – parkeringstilstand: **Ca. 20 sek.**

Reaktionstid – ud af parkeringstilstand: **Ca. 20 sek.**

**ParkOne X er patentanmeldt.**

#### Alle rettigheder til produktet ParkOne X tilhører:

Needit ApS • Hammerholmen 18 • 2650 Hvidovre  
Tlf. +45 70 221 535 • kundeservice@needit.dk  
www.parkonex.dk

Der tages forbehold for, at indholdet af denne brugervejledning kan ændres.

### VIGTIGT

Det er førerens ansvar at sørge for, at uret er indstillet korrekt. P-afgifter afholdes ikke af Needit Denmark ApS, ligesom monteringsfejl ikke er Needits ansvar.

DA, EN v. 001 6

# PARKONE X

Developed by Needit Denmark  
Designed by John Sebastian

## Instructions for use

### Before installation

Turn the parking disc around with its backside upwards. Insert one or more fingernails into the slot at the top of the round compartment lid and pull it off.

#### A: Activate the battery

Remove the plastic strip carefully and press the battery back into place if it comes loose. If the battery falls out, insert it again with the + upwards (same side as the one written in the battery compartment). If the battery is placed correctly, the "hours" flashes on the display. (It may take some time for the number on the display to flash).

#### B: Set the digital clock

(The clock in **ParkOne X** adjusts to both summer and winter time automatically, but the function may be deactivated manually if necessary, see C:)

1. When "hours" is flashing, press button ② repeatedly until the hour is adjusted correctly.
2. Press button ① once and "minutes" flashes on the display. Adjust the minutes with button ②.
3. Set year, month, and date as above (in that order).
4. When you have adjusted the above information, no numbers in the display should flash.

Note, however, that the two dots (:) between the time flash continuously. If one of the numbers is flashing, press button ① repeatedly until none of the numbers are flashing.

If you find that you have adjusted **ParkOne X** incorrectly, you can always start over by pressing and holding button ① until the "hours" digit flashes.

We recommend that you check the clock settings regularly, especially when switching between summer and winter time.

1

#### C: Activating/deactivating daylight saving time

The digital clock is by default set to switch between summer and winter time. However, if you are in a country where there is no switching, you may disable the feature by following the steps below:

1. Activate the preference mode by pressing both button ① and ② until "hours" and "minutes" show "oN:Su".
2. Slowly release button ①.
3. Press and hold button ② until the display shows "oF:Su".
4. The display automatically returns to operating mode.

Your **ParkOne X** is now ready for installation on the inside of your car's windscreen.

### Installation of ParkOne X

Find the best place on the inside of the lower right corner of the windscreen (legal requirement) where all four adhesive pads touch the glass. Make sure you have access to all the buttons on the back of the clock and that the battery compartment is accessible.

1. Clean the inside of the window where the parking disc is to be installed with a damp cloth. Wipe the window with a dry cloth or paper towel, and use the included cleaning cloth to clean the area thoroughly. (Only the included wipe may be used - no other cleaning agents).
2. Make sure the window is at least +15°C, as the adhesive pads do not work properly at lower temperatures. If necessary, warm up the window with the car's blower motor or with a hair dryer (if you're careful).

2

3. Remove the protective film from the four adhesive pads and press the parking disc firmly against the window for about 30 seconds. Avoid pressing in the middle of the backside. After this, you must check whether all four adhesive pads are sticking properly to the window from the outside of the car.

4. You have now installed your **ParkOne X** and are ready to drive.

#### Note:

**ParkOne X must not be left unattached in the car but must be fixed to the window to work properly.**

### How ParkOne X works

When you park your car, **ParkOne X** automatically sets the clock forward to the next quarter after the arrival time (e.g., if you arrive at 10:07, **ParkOne X** will set the clock forward to 10:15).

### Manual setting

Your **ParkOne X** can also be set manually as required by law. Statutory Order no. 327 of 9/04/2003 (§3 paragraph 3): "If a period without a time limit occurs during the parking of a vehicle, the pointer shall be set, latest at the end of the time period, at the time from which a time limit applies again." If you need to set your **ParkOne X** manually, simply press button ② and the clock will count up in 15-minute increments. Press, hold and release the button when the desired time is displayed. Note that this function is only available when **ParkOne X** is in parking mode.

### Battery

**When the battery is low, the speaker ③ is activated and the alarm sounds (5 x beep tone repeated 3 times) to indicate that the battery needs to be replaced within a week. The alarm sounds when the parking mode is activated and exited.**

3

### Maintenance

Do not expose **ParkOne X** to extreme temperatures (below -20°C or above +75°C), as this may damage the electronics and/or affect response time.

If **ParkOne X** is exposed to strong moisture or water, it must be wiped immediately with a clean cloth. Use only a cloth to clean the disc. Do not use cleaning agents.

### CE labelling

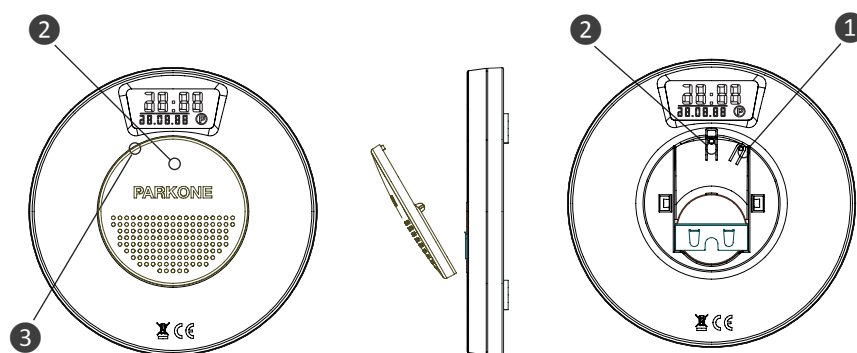
With the CE marking, Needit Denmark ApS declares that our product meets the general safety requirements of any relevant CE marking directives and regulations. With the CE marking, the manufacturer guarantees that the product has been manufactured in accordance with the European Union requirements for safety, health, and environment. Needit Denmark ApS hereby declares that this parking disc is in compliance with (CE) EN 61000-6-3 (Electromagnetic Compatibility – Part 6-3: Generic Standards – Emission standard for residential, commercial and light-industrial environments) and (CE) EN 61000-6-1 (Electromagnetic Compatibility – Part 6-1: Generic Standards – Immunity for residential, commercial and light-industrial environments).

### WEEE

Electrical and electronic equipment (EEE) and materials may be hazardous and harmful to human health and the environment and must be disposed of properly. **ParkOne X** must not be disposed of with normal household waste but must be collected separately. The battery may be returned to the battery retailers, and the **ParkOne X** itself may be returned to the local recycling centre or to the parking disc retailer.



5



Congratulations on your new **ParkOne X**  
[www.parkonex.dk](http://www.parkonex.dk)

4

When the battery is replaced, the clock automatically resets. You may always adjust all time settings as previously described. Be aware that the LCD display in your **ParkOne X** will turn off shortly after the battery is removed, so you should avoid leaving the car while there's no battery in the clock.

### Replacing the battery

1. Buy a new button cell battery: no. CR 2477 - 3 Volt.
2. Pull off the round compartment lid on the backside.
3. Remove the battery.
4. Insert new battery.
5. Put the compartment lid back on.

**REMEMBER TO SET THE CLOCK AGAIN.**

### Service and warranty

On [www.needit.dk](http://www.needit.dk), you can find answers to many questions about your new **ParkOne X**. If you have any questions, please email us at [kundeservice@needit.dk](mailto:kundeservice@needit.dk). Needit Denmark ApS offers 2 years of warranty in accordance with the Danish Purchase Act. In the event of any defects or deficiencies during the warranty period, **ParkOne X** may be returned to the retailer. Here, it will be repaired or replaced with a new one. In case of a complaint, please bring a copy of your receipt as proof of warranty.

### Approvals and certificates

**ParkOne X** is approved by the Danish Civil Aviation and Railway Authority with reference to Statutory Order No. 327 of 29/07/2022 on parking discs and bears the Agency's approval number FS52 on the front.

6

### Specifications and rights

Size in cm: **10 x 10 x 1.6**

Battery specifications: Button cell battery: **no. CR 2477 - 3 Volt**

Battery life: **Up to 5 years**

Clock accuracy (avg.): **± 2 min./2 years**

Response time - parking mode: **Approx. 20 sec.**

Response time - non-parking mode: **Approx. 20 sec.**

**ParkOne X is patent pending.**

### All rights to the product **ParkOne X** belong to:

Needit ApS • Hammerholmen 18 • 2650 Hvidovre  
Telephone +45 70 221 535 • [kundeservice@needit.dk](mailto:kundeservice@needit.dk)  
[www.parkonex.dk](http://www.parkonex.dk)

The contents of this user manual are subject to change without notice.

### Important

It is the driver's responsibility to ensure that the clock is adjusted correctly. Parking tickets are not refunded by Needit Denmark ApS, nor are they responsible or liable for any installation errors.