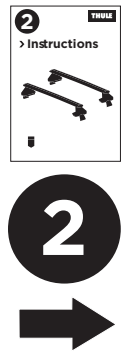
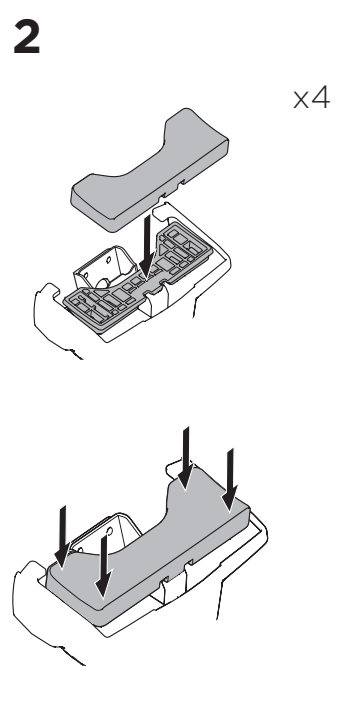
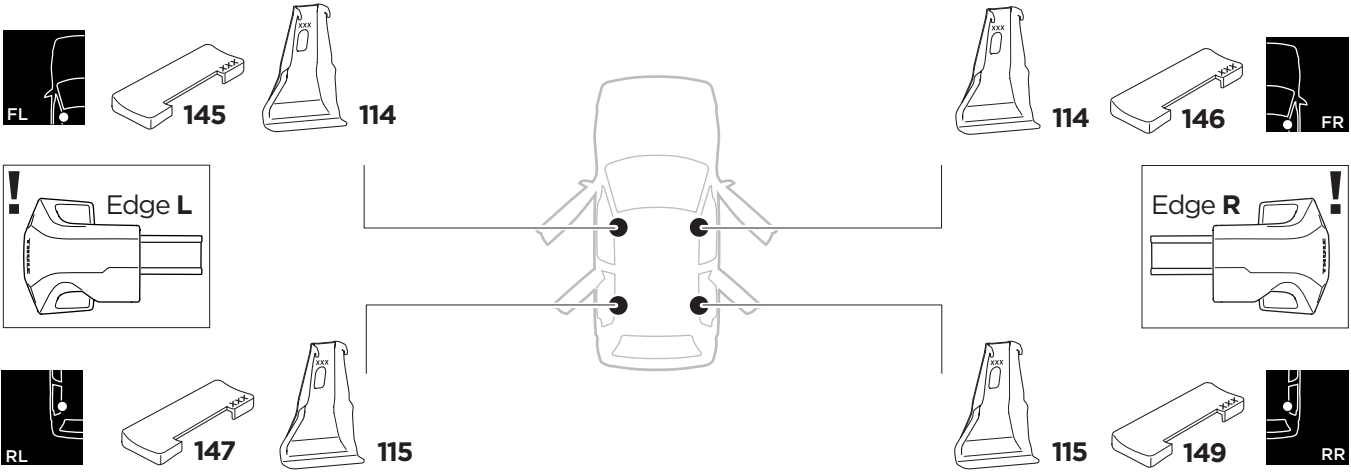
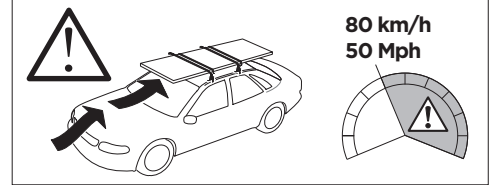
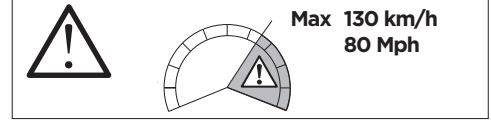
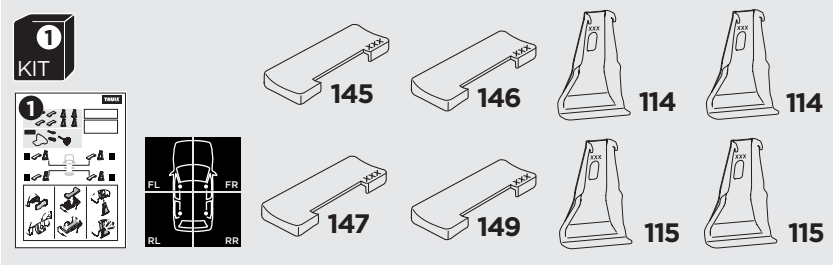


1

Kit 145028

RENAULT Espace, 5-dr MPV, 15-

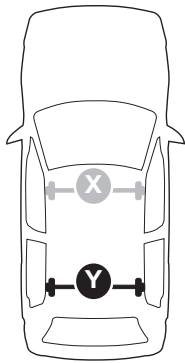
ISO 11154-E





THULE WingBar Evo	THULE WingBar Edge	THULE WingBar	THULE SquareBar Evo	Evo X (scale)	Edge X (scale)
RENAULT Espace, 5-dr MPV, 15-				55,5	D

THULE ProBar Evo	THULE SlideBar Evo	X (mm/inch)		
RENAULT Espace, 5-dr MPV, 15-		1206 mm / 47 1/2"		



THULE WingBar Evo	THULE WingBar Edge	THULE WingBar	THULE SquareBar Evo	Evo Y (scale)	Edge Y (scale)
RENAULT Espace, 5-dr MPV, 15-				51	M

THULE ProBar Evo	THULE SlideBar Evo	Y (mm/inch)		
RENAULT Espace, 5-dr MPV, 15-		1161 mm / 45 3/4"		

	W (mm/inch)	Z (mm/inch)
RENAULT Espace, 5-dr MPV, 15-	640 mm / 25 1/4"	450 mm / 17 3/4"

