



Black CT23FD15
Silver CT23FD16
Black (With Pocket) CT24FD31
Silver (With Pocket) CT24FD32

Single*/Double DIN Fitting Kit for Ford Vehicles



IN THE KIT

- i. Double DIN Fascia Panel
- ii. Pocket*
- iii. Brackets/Fitting Accessories

*CT24FD31/32 Only

APPLICATION

Note: Application data is subject to change at any time

Fiesta 2008 - 2017

For vehicles without display only

RECOMMENDED TOOLS

- Panel Removal Tool
- Screwdriver
- Cutting Tool

FEATURES

- Allows for the installation of a single* or double DIN aftermarket stereo
- Includes mounting brackets and fitting accessories
- Finished in black or silver to match vehicle dashboard

*CT24FD31/32 Only

DISCLAIMER

The information provided in this document is subject to change without notice due to manufacturer changes and/or improvements to the product/s. This instruction manual is based on documented data and research. The manufacturer of this product cannot be held responsible for any changes made to the vehicle by the manufacturer or damages that may occur through the installation of this product in accordance with the steps outlined herein.

PRIOR TO INSTALLATION

Read the manual prior to installation. Technical knowledge is necessary for installation. The place of installation must be free of moisture and away from heat sources. Please ensure that the correct tools are used during the installation to avoid damage to the vehicle or product. Connects2 can not be held responsible for the installation of this product.

! DASHBOARD MODIFICATION REQUIRED !

Please note that some modification/cutting to the sub-dash plastics is required in order to fit an aftermarket head unit using this kit. Please refer to Step 5 for more information

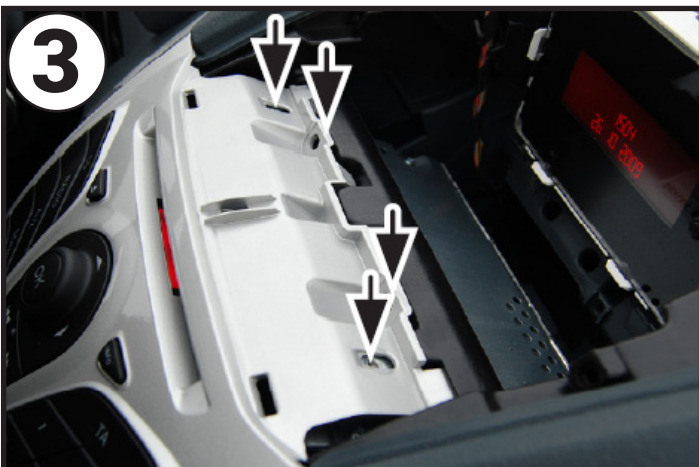
INSTALLATION GUIDE



Use a panel removal tool to unclip the panel surrounding the small dash display



Remove the entire trim panel and place safely to one side for reassembly



Remove the four screws highlighted by the arrows located above the OEM head unit

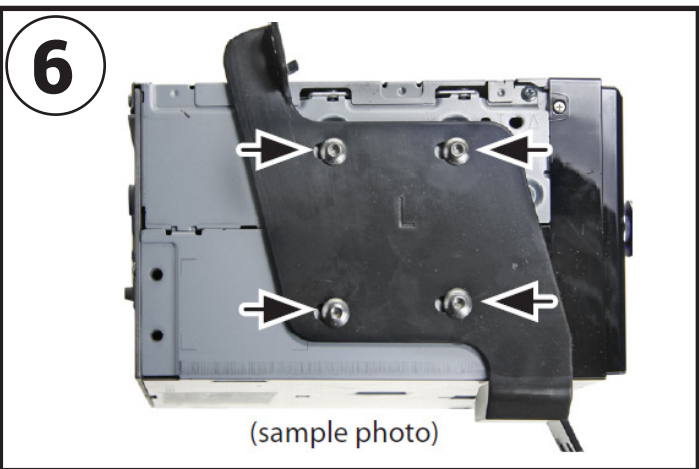


Remove the OEM head unit and disconnect all wiring

Dismount the air vents and mount them to the new fascia panel included with the kit



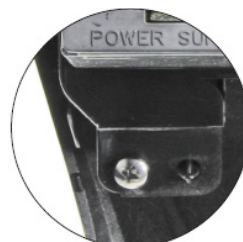
Use a cutting tool to remove the middle bar (highlighted by the arrows in the image) to allow space for the new head unit to fit into the dashboard cavity.



Mount the left and right brackets to the head unit using the supplied hex screws. Please see Diagram on Page 4 for instruction on how to fit a Single DIN unit with pocket instead of a Double DIN unit as shown in the image.



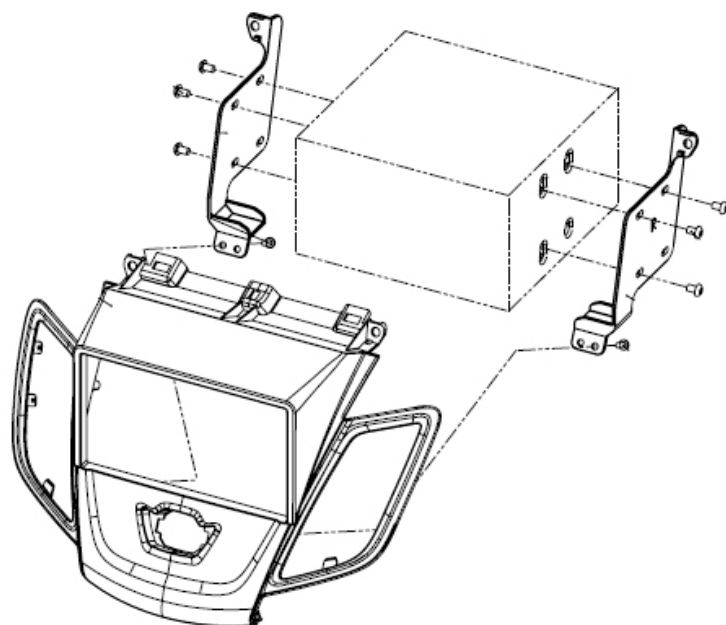
Mount the head unit to the fascia panel using the supplied Phillips screws at the points highlighted by the arrows in the image.





Make all required wiring connections to the back of the aftermarket head unit and fit the head unit/fascia assembly into the dashboard cavity to complete the installation.

DIAGRAM



Black
CT23FD15
Silver
CT23FD16

Black (With Pocket)
CT24FD31
Silver (With Pocket)
CT24FD32

