

APPLICATIONS

KIA Soul 2010

CT24KI12

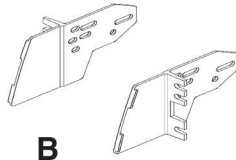
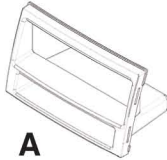
KIT FEATURES

- DIN Radio Provision with Pocket
- ISO Radio Provision with Pocket
- Painted Matte Black



KIT COMPONENTS

A) Radio Housing B) ISO Brackets



TOOLS REQUIRED:

- Small Flat Blade Screwdriver
- Panel Removal Tool
- Phillips Screwdriver



TABLE OF CONTENTS

Dash Disassembly

- KIA Soul 2010 1

Kit Assembly

- ISO Head Unit Provision..... 2

Final Assembly 3

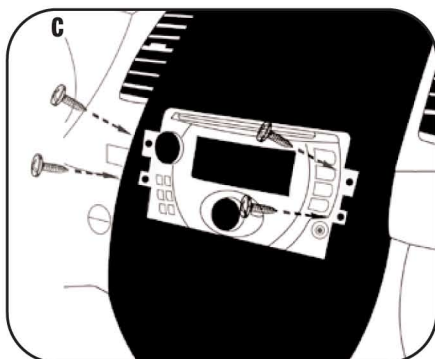
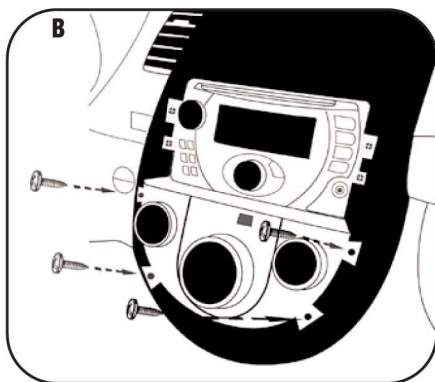
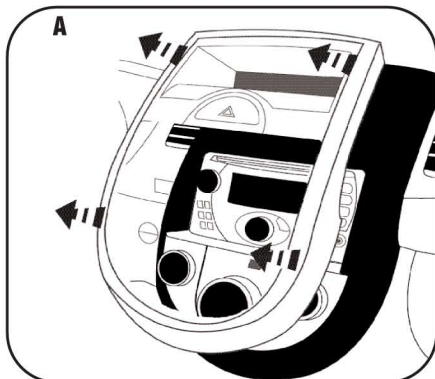
***Note:**

Refer also to the instructions included with the aftermarket radio.

KIA SOUL 2010

- 1** Disconnect the negative battery terminal to prevent an accidental short circuit.
- 2** Unclip and remove the radio/climate control trim panel. (Figure A)
- 3** Remove (4) Phillips screws securing the climate control. (Figure B)
- 4** Remove (4) Phillips screws securing the radio. (Figure C)

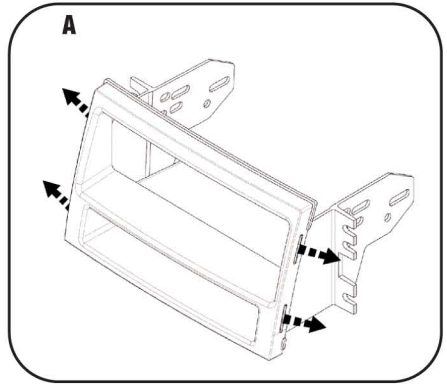
Continue to kit assembly.



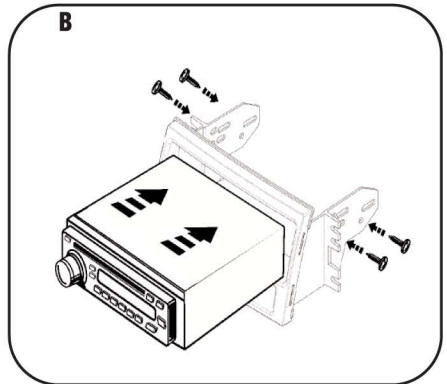
ISO HEAD UNIT PROVISION

****Note: Refer also to the instructions included with the aftermarket radio.***

- 1** Attach the ISO brackets to the radio housing. (Figure A)
- 2** Slide the head unit into the bracket / radio housing assembly and secure using the ISO screws supplied with the radio. (Figure B)
- 3** Locate the factory wiring harness in the dash. Re-connect the negative battery terminal and test the unit for proper operation.



- 4** Reassemble dash in reverse order of disassembly.



Continue to final assembly.