

APPLICATIONS

KIA Soul 2010

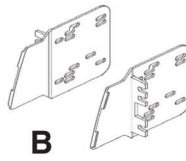
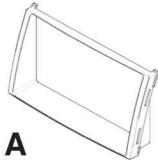
CT24KI13

KIT FEATURES

- DDIN Head Unit Provision
- ISO Stacked Head Unit Provision
- Painted Matte Black

KIT COMPONENTS

A) Double DIN Trim Plate B) Double DIN Brackets



TOOLS REQUIRED:

- Small Flat Blade Screwdriver
- Panel Removal Tool
- Phillips Screwdriver



TABLE OF CONTENTS

Dash Disassembly

- KIA Soul 2010 1

Kit Assembly

- DDIN / Stacked ISO DIN Head Unit Provisions 2

Final Assembly 3

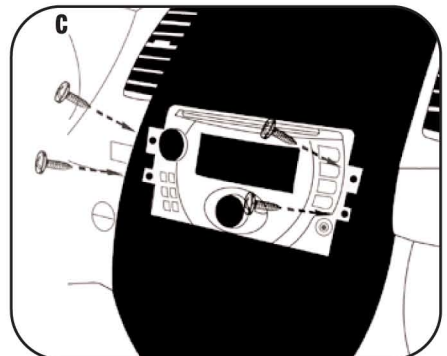
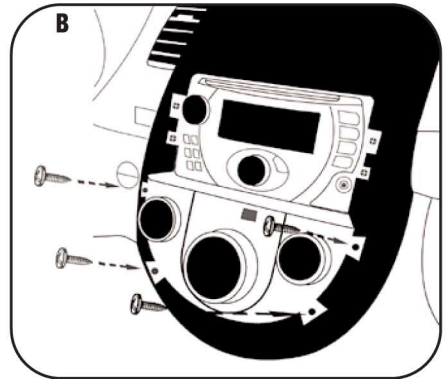
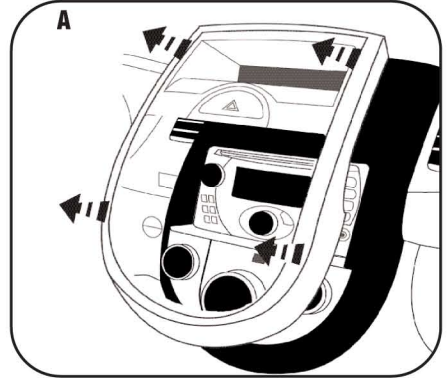
***Note:**

Refer also to the instructions included with the aftermarket radio.

KIA SOUL 2010

- 1** Disconnect the negative battery terminal to prevent an accidental short circuit.
- 2** Unclip and remove the radio/climate control trim panel. (Figure A)
- 3** Remove (4) Phillips screws securing the climate control. (Figure B)
- 4** Remove (4) Phillips screws securing the radio. (Figure C)

Continue to kit assembly.



DOUBLE DIN / STACKED ISO DIN HEAD UNIT PROVISIONS

**Note: Refer also to the instructions included with the aftermarket radio.*

- 1 Locate the factory wiring harness in the dash. Re-connect the negative battery terminal and test the unit for proper operation.
- 2 Attach the Double DIN brackets to the Double DIN Trim Plate. (Figure A)
- 3 Slide the radio into the bracket/radio housing assembly and secure using the screws supplied with the radio. (Figure B)
- 4 Reassemble dash in reverse order of disassembly.

