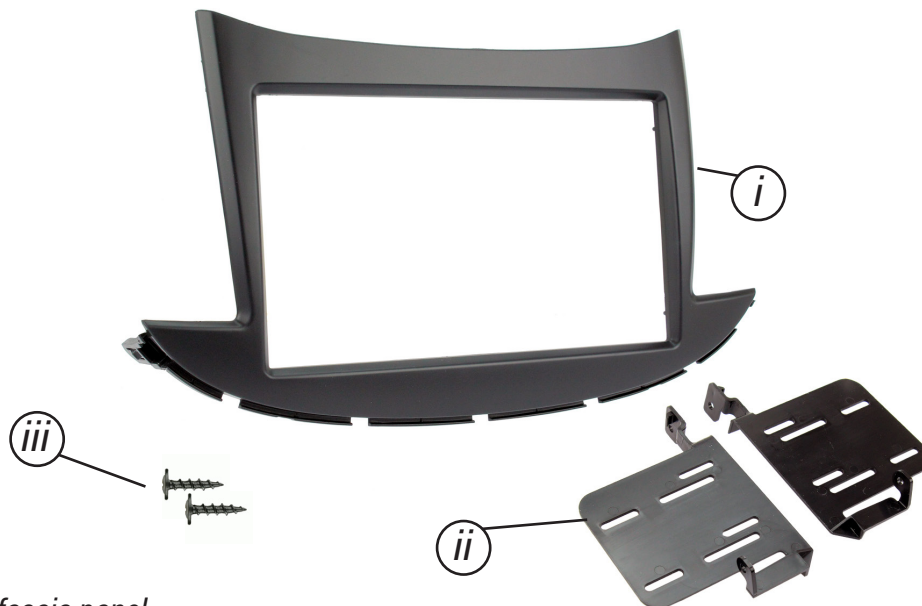




CT23CV33

## Double DIN Fitting Kit for Chevrolet Vehicles

Allows for the installation of a double DIN aftermarket stereo whilst retaining the factory finish of the vehicle dashboard



- i. Main fascia panel
- ii. Rear panel
- iii. 2x 3/4" Phillips Screws

### APPLICATION

*Note: Application data is subject to change at any time*

Chevrolet Trax 2017>

### RECOMMENDED TOOLS

- Panel Removal Tool
- Screwdriver
- Cutting Tool

### FEATURES

- Allows for the installation of a double DIN aftermarket stereo
- Includes mounting brackets and fitting accessories
- Finished in matte black to match vehicle dashboard

#### DISCLAIMER

The information provided in this document is subject to change without notice due to manufacturer changes and/or improvements to the product/s. This instruction manual is based on documented data and research. The manufacturer of this product cannot be held responsible for any changes made to the vehicle by the manufacturer or damages that may occur through the installation of this product in accordance with the steps outlined herein.

# PRIOR TO INSTALLATION

Read the manual prior to installation. Technical knowledge is necessary for installation. The place of installation must be free of moisture and away from heat sources. Please ensure that the correct tools are using during the installation to avoid damage to the vehicle or product. Connects2 can not be held responsible for the installation of this product.

## \*WARNING\*

**\*\*MODIFICATION IS REQUIRED FOR FULL INSTALLATION OF A DOUBLE DIN STEREO WHEN USING THIS PRODUCT\*\***  
See Page 4 for Details

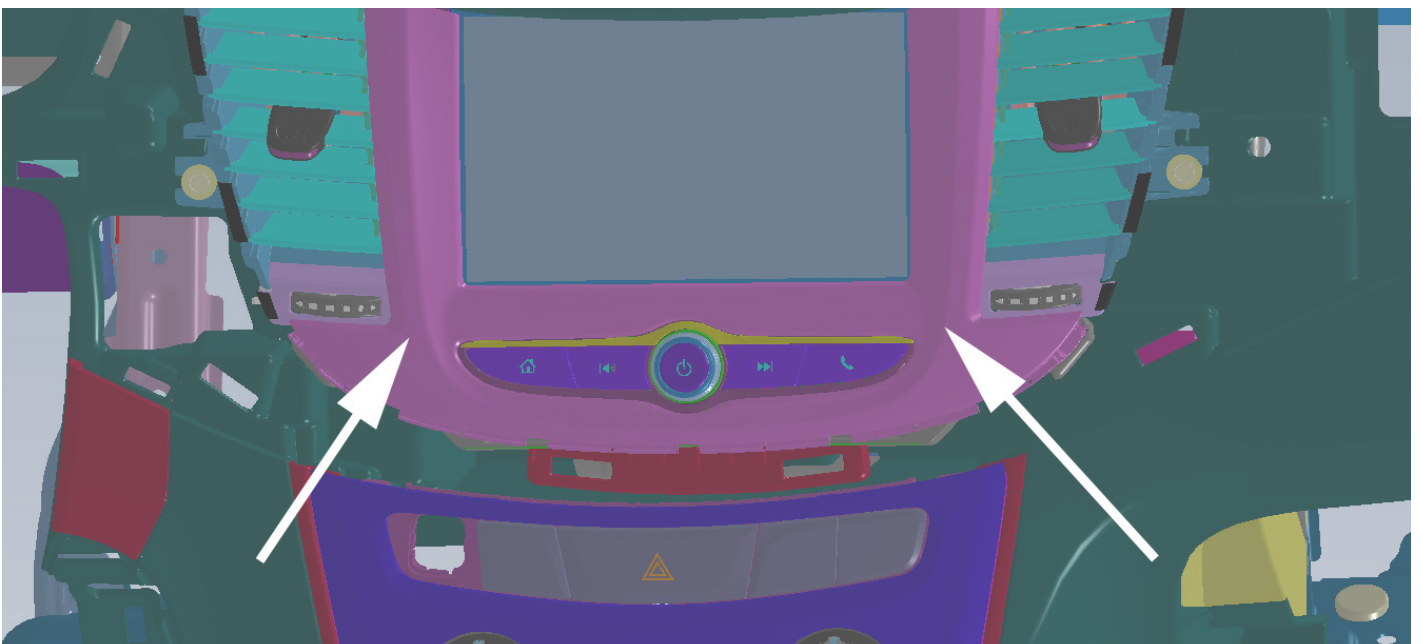
# INSTALLATION GUIDE

## DASH DISASSEMBLY

1. Use a panel removal tool to unclip the trim below the stereo fascia panel and fully remove the trim.



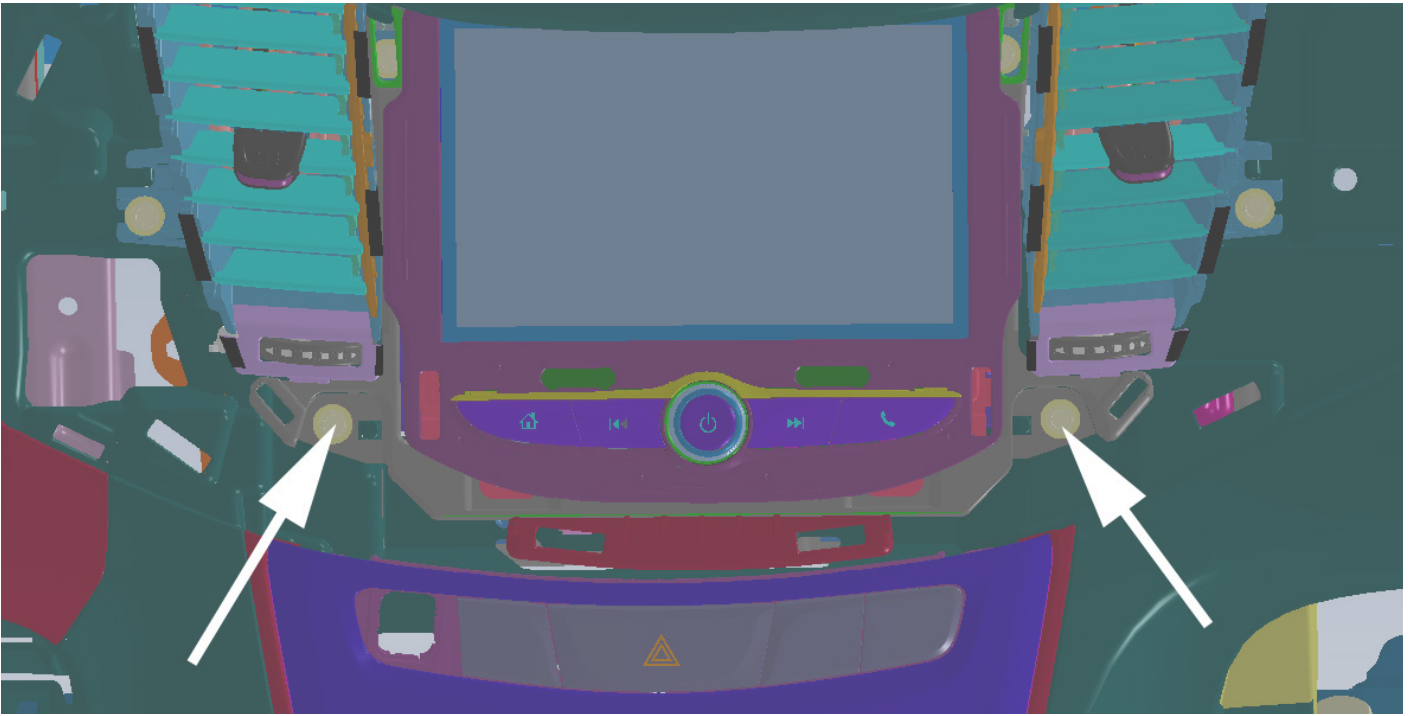
2. Use a panel removal tool to unclip the the stereo fascia panel and fully remove the panel



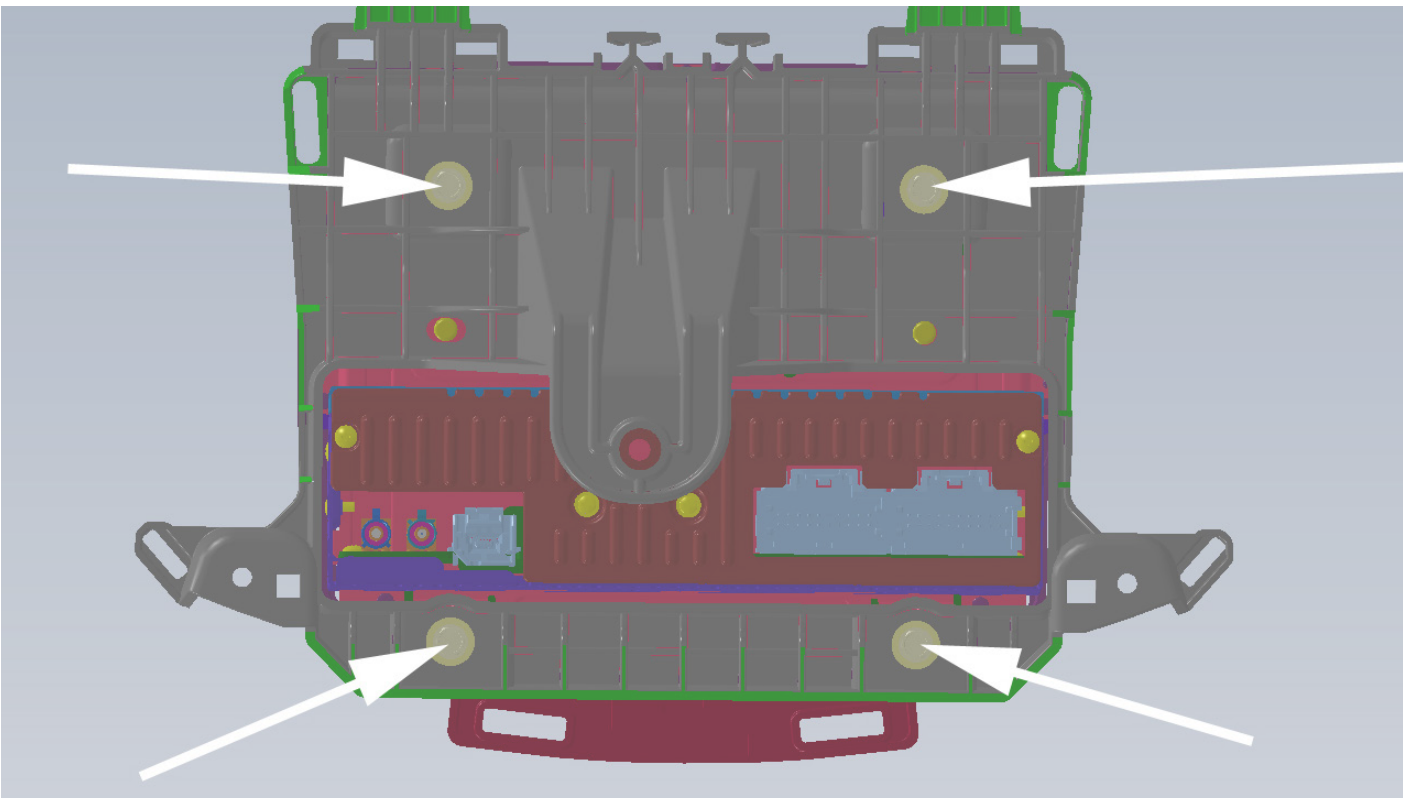
# INSTALLATION GUIDE

3. Use a screwdriver to unscrew the (2) 7mm bolts securing the stereo in the dashboard.

Unplug all connections to the back of the stereo and fully remove the stereo



4. With the stereo removed, unscrew the (4) 7mm bolts securing the factory mounting brace to the stereo.

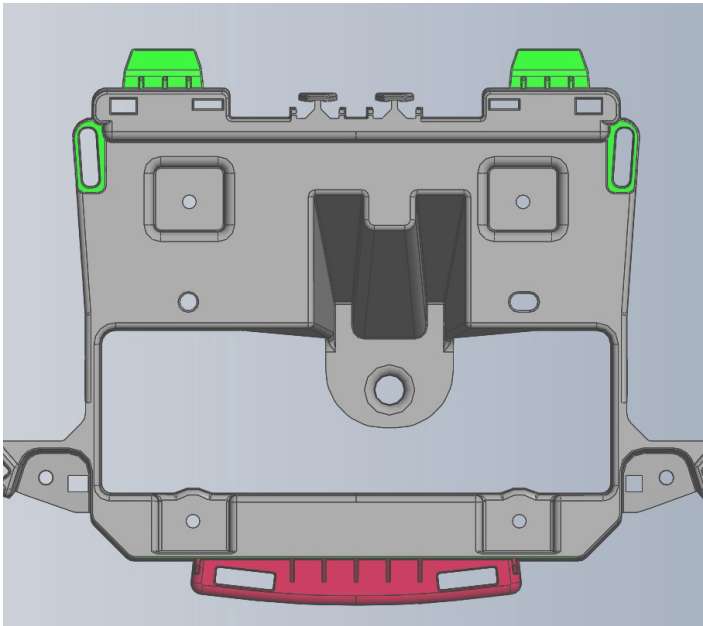


# INSTALLATION GUIDE

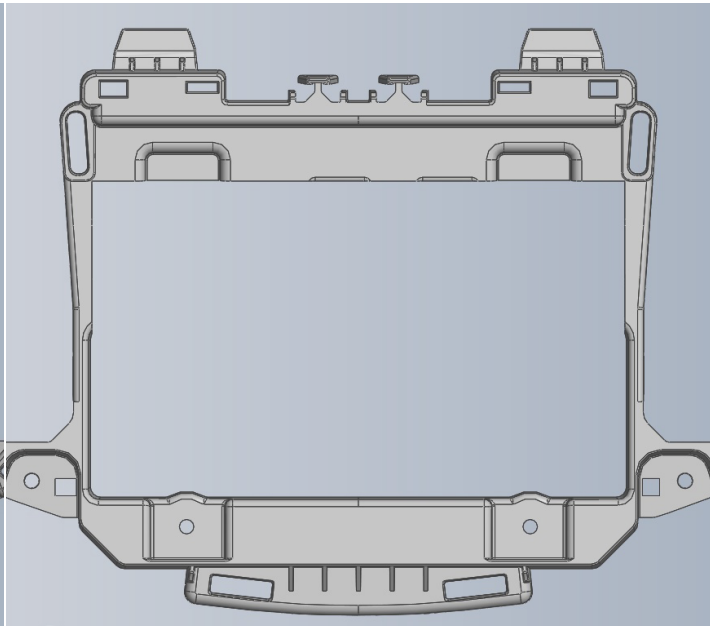
## **\*\*BRACE MODIFICATION\*\***

5. In order to allow a correct fit to the aftermarket stereo, the factory mounting brace must be modified through the use of a plastic cutting tool. Remove the area as demonstrated by the render below.

Before Modification



After Modification



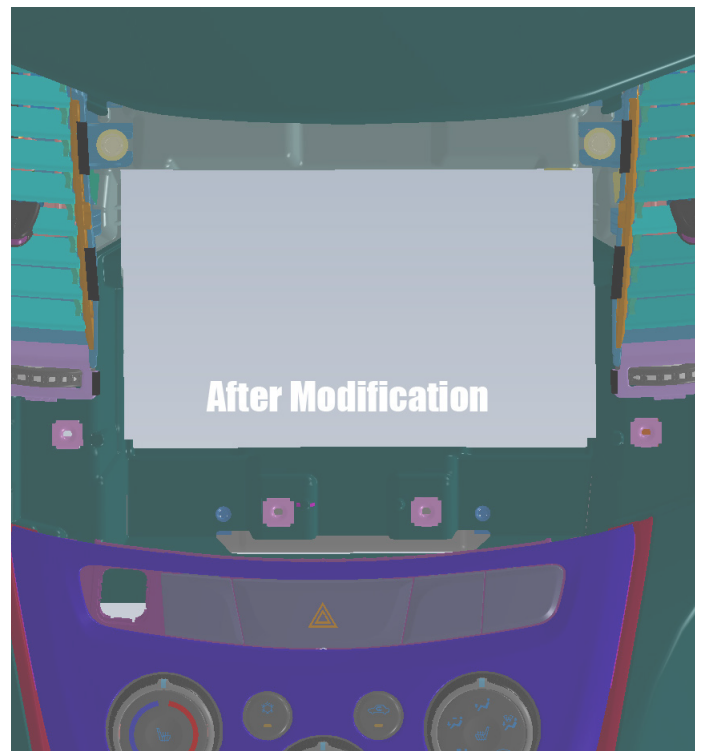
## **\*\*DASH MODIFICATION\*\***

6. In order to make room for the aftermarket stereo, the factory dashboard must be modified through the use of a plastic cutting tool. Remove the area as demonstrated by the render below:

Before Modification



After Modification

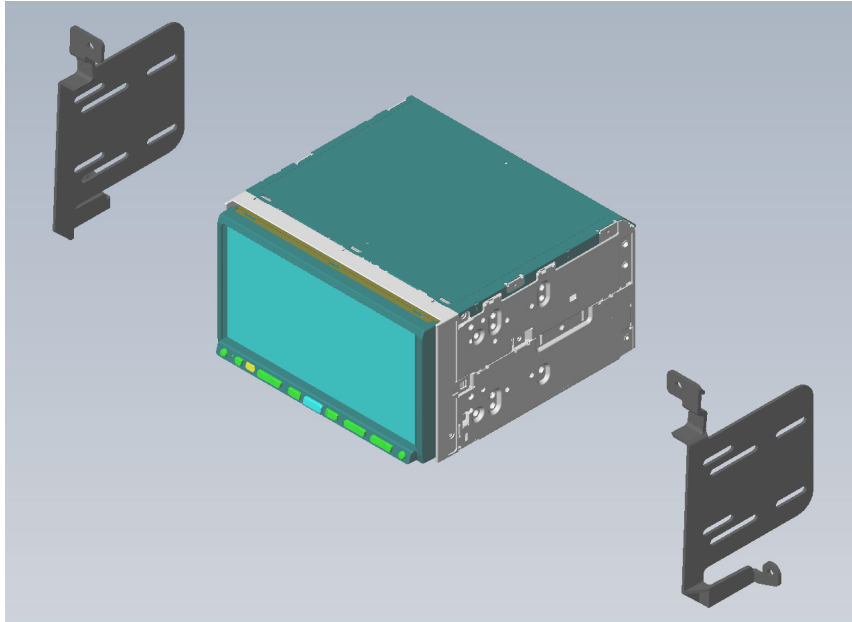


# INSTALLATION GUIDE

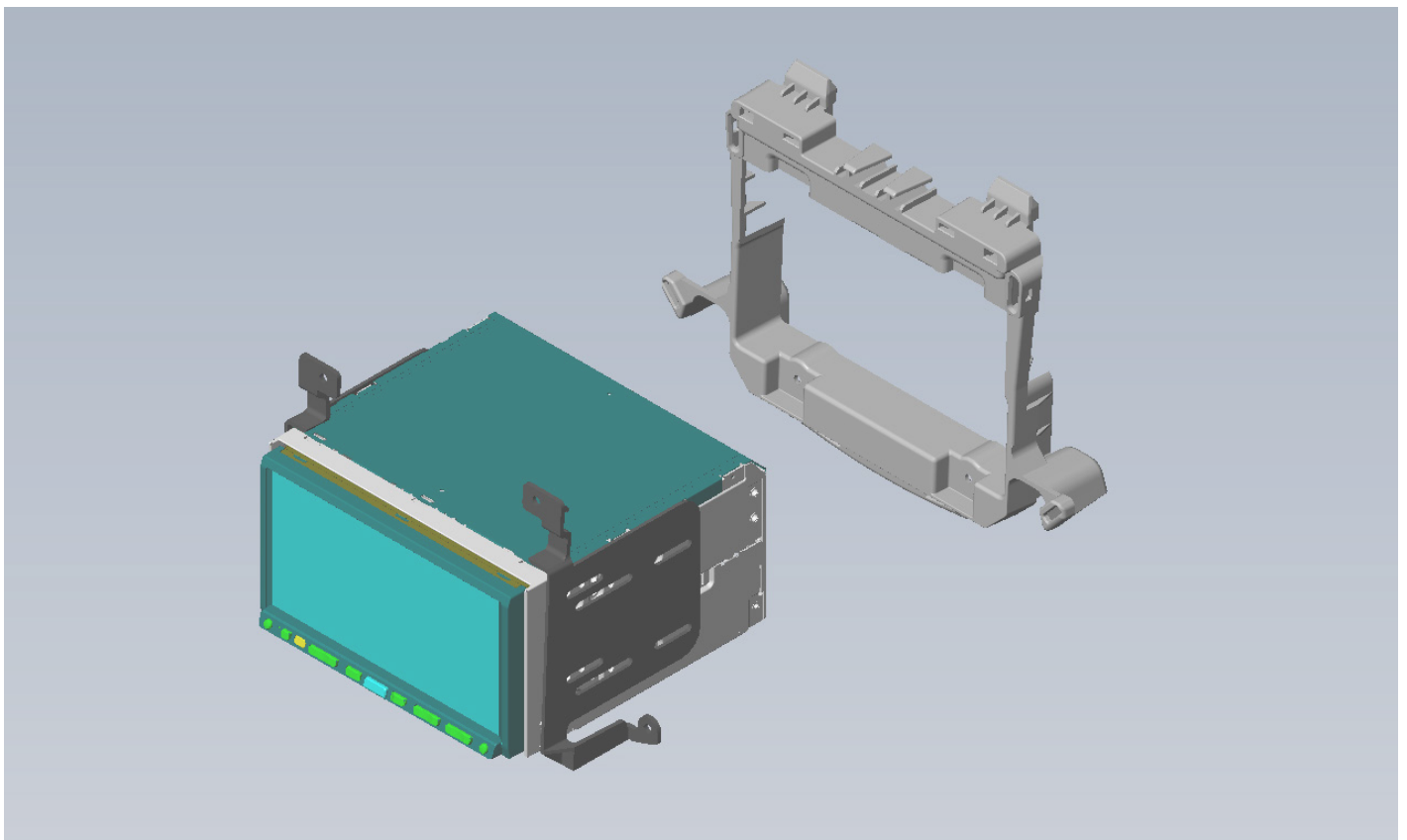
## KIT ASSEMBLY

8. Transfer the clips from the OEM stereo fascia panel to the aftermarket stereo fascia panel

9. Mount the right and left side brackets included in the kit to the aftermarket stereo (using the screws supplied with the stereo)

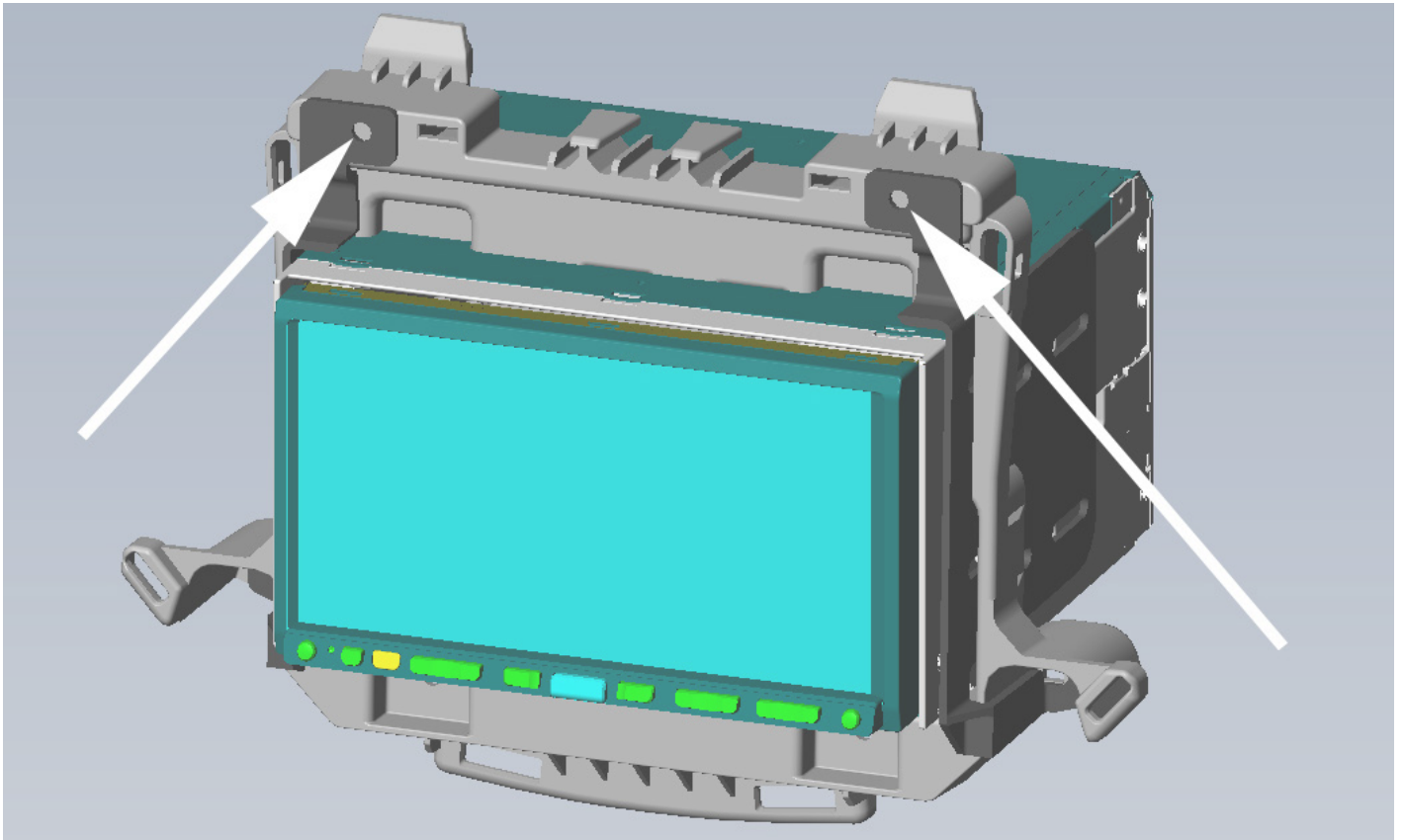


10. Attach the support brace to the new stereo/bracket assembly at the two top locations (using the screws supplied with the kit). See overleaf for screw locations.



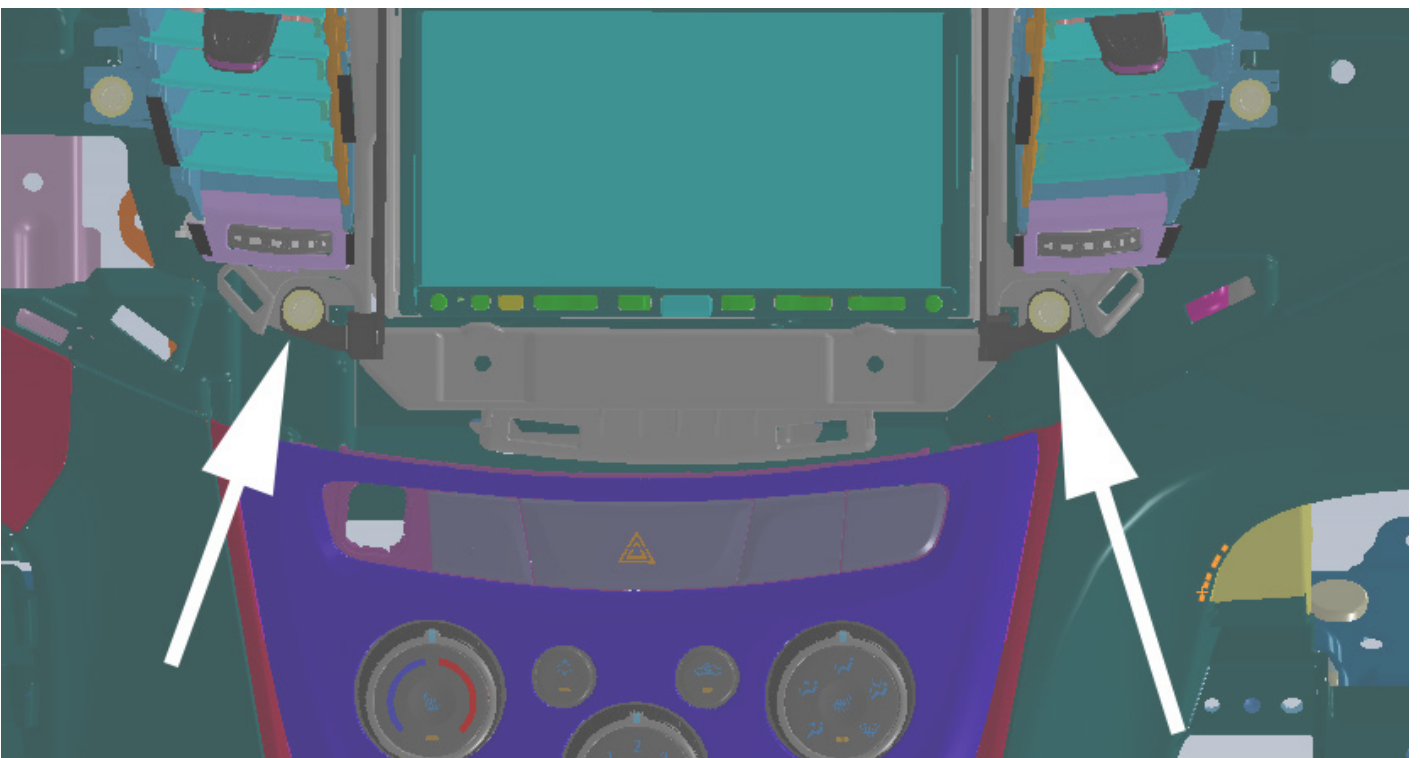


# INSTALLATION GUIDE



11. Install the aftermarket stereo into the dashboard, making all relevant wiring connections.

Test stereo for correct operation and secure in place using the (2) 7mm bolts removed in Step 3.



# INSTALLATION GUIDE

---

12. Clip the aftermarket fascia panel in place to surround the stereo



13. Reinstall lower panel, removed in Step 1, to complete the installation



Need help? Visit [support.connects2.com/tickets/technical](https://support.connects2.com/tickets/technical)

# INSTALLER'S NOTES

---