

**APPLICATIONS**  
**JAGUAR S-TYPE**  
**2003-2008**  
**JAGUAR X-TYPE**  
**2002-2008**  
**(NON-NAV MODELS)**

**CT24JG03**

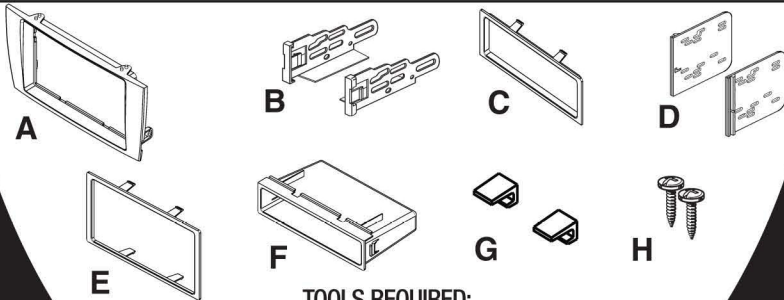
**KIT FEATURES**

- DIN Head Unit Provision w/ removable pocket
- ISO DIN Head Unit Provision w/ removable pocket
- DDIN Head Unit Provision
- ISO Stacked Head Unit Provision
- TWO FINISHES AVAILABLE:



**KIT COMPONENTS**

A) Radio Housing B) ISO Brackets C) ISO Trim Plate D) DDIN Brackets E) DDIN Trim Plate  
F) Pocket G) (2) Pocket C-Clips H) (2) Small Phillips screws



**TOOLS REQUIRED:**

- Small Flat Blade Screwdriver
- Torx Screwdriver
- Socket Wrench
- Cutting Tool



## **TABLE OF CONTENTS**

### **Dash Disassembly**

- ***Jaguar S-Type 2003-2008 . . . . . 1,2***
- ***Jaguar X-Type 2002-2008 . . . . . 3,4***

### **Kit Preparation**

- ***Jaguar S-Type 2003-2008 . . . . . 5***
- ***Jaguar X-Type 2002-2008 . . . . . 5***

### **Kit Assembly**

- ***DIN Head Unit Provision. . . . . 6***
- ***ISO DIN Head Unit Provision. . . . . 7***
- ***DDIN Head Unit Provision. . . . . 8***

#### **\*Note:**

**Refer also to the instructions included with the aftermarket radio.**

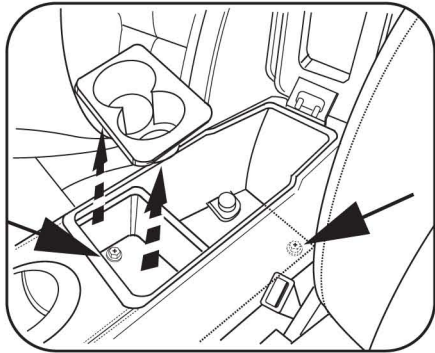
# **JAGUAR 5-TYPE 2003-2008**

## **NON-NAV MODELS**

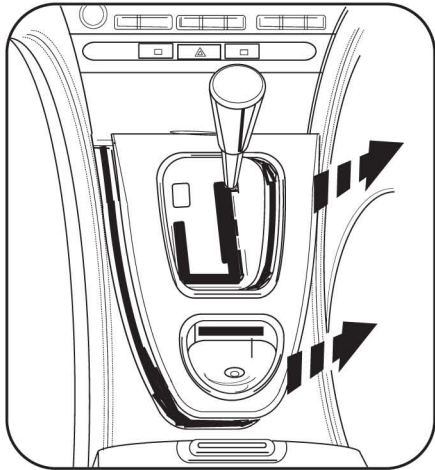
- 1** Disconnect the negative battery terminal to prevent an accidental short circuit.
- 2** Remove cup holder and (2) screws securing center console storage compartment and remove compartment. (Figure A)
- 3** Unclip and remove the trim panel around the shifter. (Figure B)

*Continued on page 2*

**A**



**B**

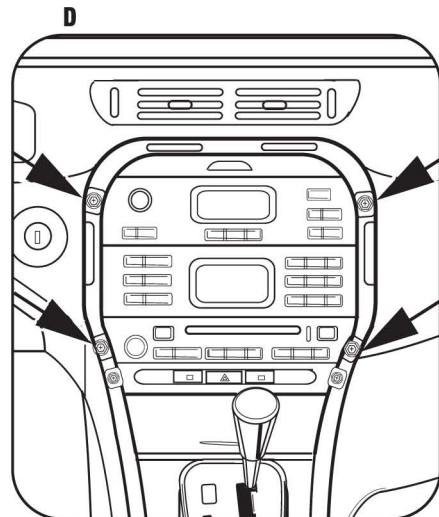
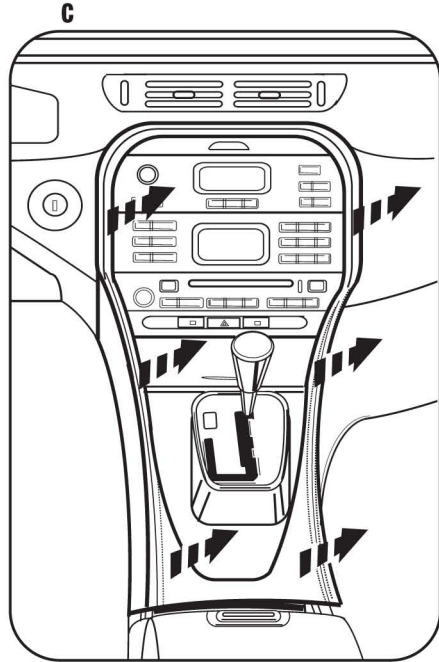


# **JAGUAR 5-TYPE 2003-2008**

## **NON-NAV MODELS**

- 4** Unclip and remove the trim panel surrounding the radio/climate controls/ashtray and front half of the center console. (Figure C)
- 5** Remove (4) screws securing the radio/climate control assembly to the dash. Unplug and remove assembly. (Figure D)
- 6** Remove (4) screws securing the radio to the assembly and remove the radio. Retain the assembly for re-use during kit assembly.

*Continue to kit assembly*

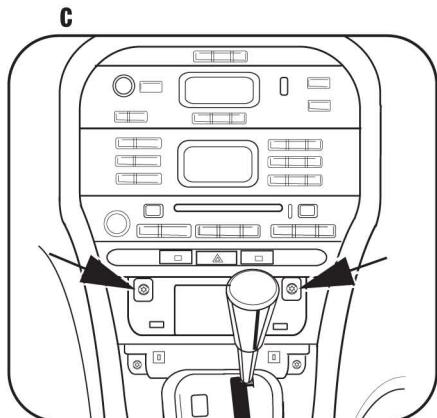
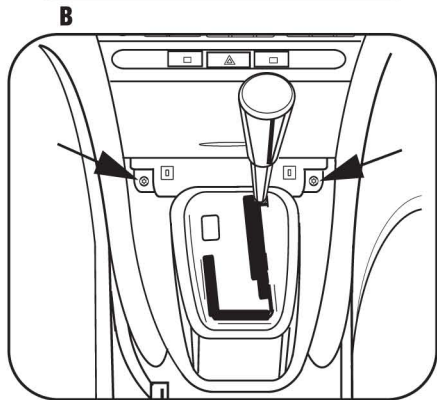
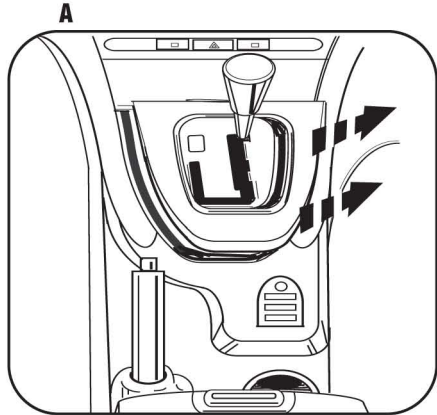


# JAGUAR X-TYPE 2002-2008

## NON-NAV MODELS

- 1 Disconnect the negative battery terminal to prevent an accidental short circuit.
- 2 Unclip and remove the trim panel around the shifter. (Figure A)
- 3 Remove (2) screws from bottom edge of ashtray assembly then unclip and remove ashtray assembly. (Figure B)
- 4 Remove (2) screws from inside ashtray cavity at bottom edge of radio. (Figure C)

*Continued on page 4*



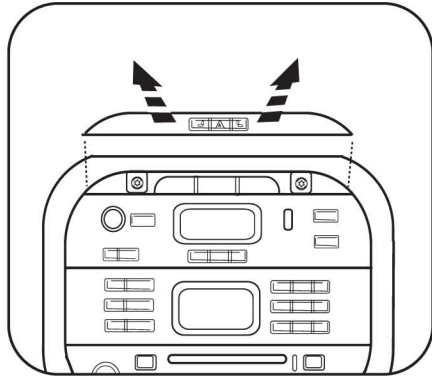
# **JAGUAR X-TYPE 2002-2008**

## **NON-NAV MODELS**

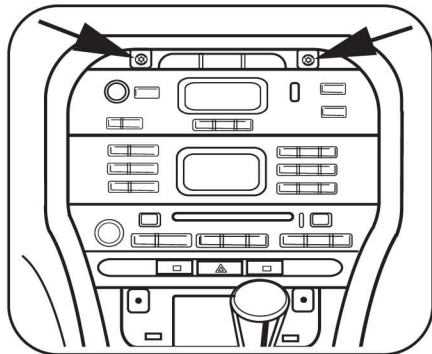
- 5** Unclip, unplug and remove hazard switch/seat heater switch trim panel above climate control/radio assembly. (Figure D)
- 6** Remove (2) screws from inside switch panel cavity at top edge of climate controls. (Figure E)
- 7** Unplug and remove the climate control/radio assembly. (Figure F)
- 8** Remove (4) screws securing the radio to the assembly and remove the radio. Retain the assembly for re-use during kit assembly.

*Continue to kit assembly*

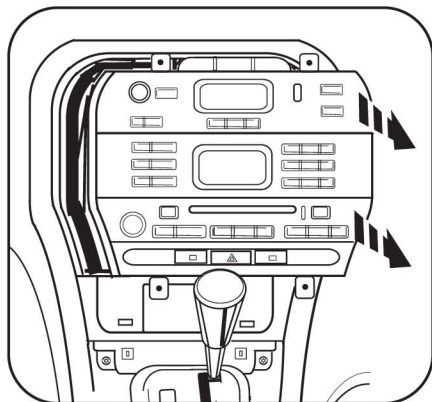
**D**



**E**



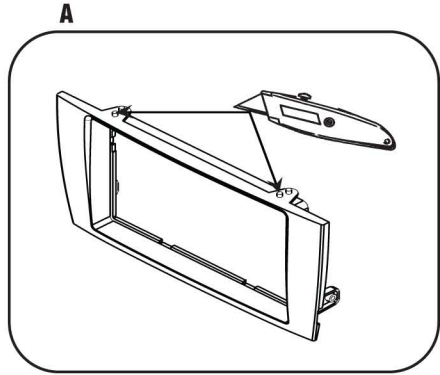
**F**



## **KIT PREPARATION**

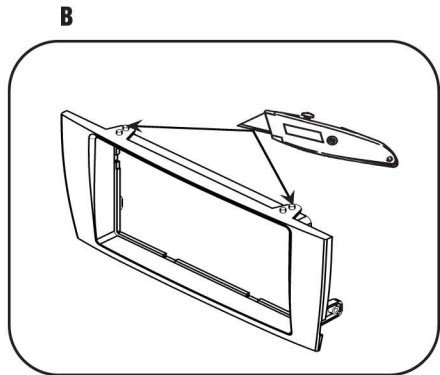
### **JAGUAR S-TYPE 2003-08**

Cut and remove the locator closest to the face of the radio housing for the S-Type. (Figure A)



### **JAGUAR X-TYPE 2002-08**

Cut and remove the locator farthest from the face of the radio housing for the X-Type. (Figure B)



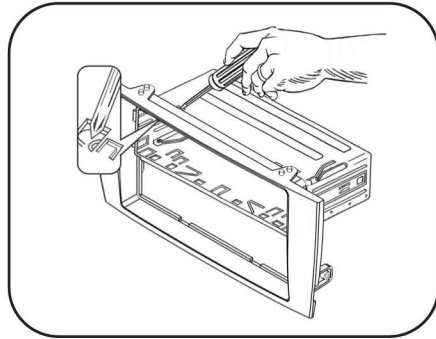
*Continue to kit assembly*

# **JAGUAR S-TYPE 2003-2008** **JAGUAR X-TYPE 2002-2008**

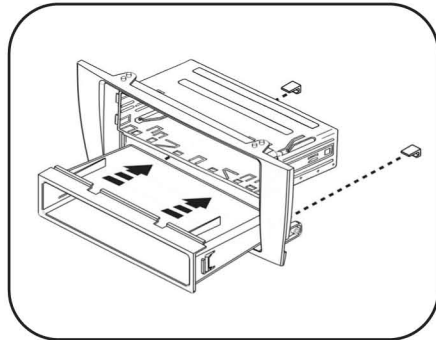
## **DIN HEAD UNIT PROVISION**

- 1 Locate the factory wiring harness in the dash. Re-connect the negative battery terminal and test the unit for proper operation.
- 2 Slide the DIN cage into the Radio Housing and secure by bending the metal locking tabs down. (Figure A)
- 3 Snap the pocket into the bottom opening of the radio housing. (Figure B)
- 4 Secure the pocket by inserting the c-clips into the opening between the pocket and the bottom of the radio housing. (Figure B)
- 5 Slide the aftermarket head unit into the cage and secure. (Figure C)
- 6 Attach the radio housing to the climate control bracket assembly and screw the bottom together with the two supplied Phillips screws.
- 7 Reassemble dash in reverse order of disassembly.

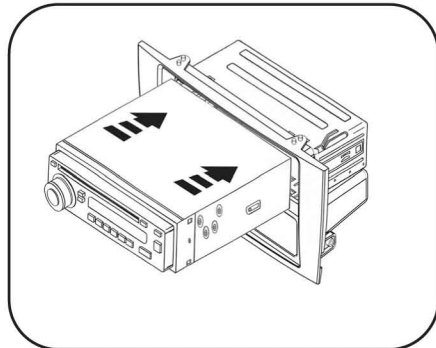
**A**



**B**



**C**



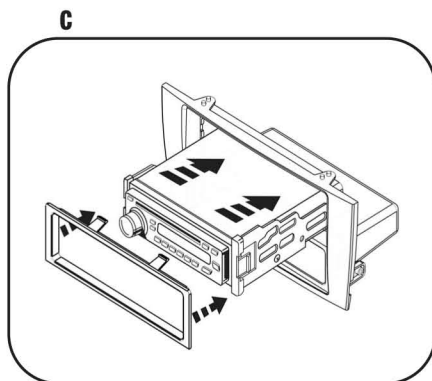
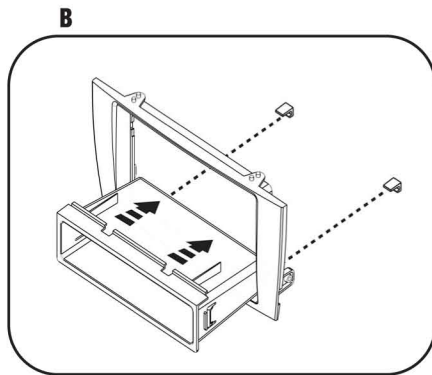
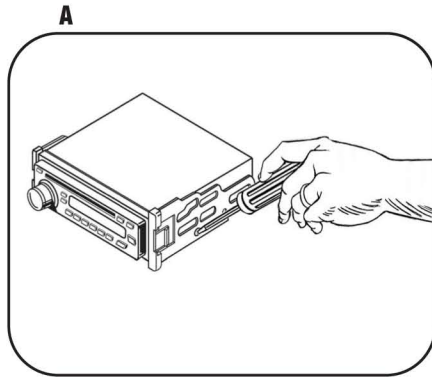


# JAGUAR S-TYPE 2003-2008

# JAGUAR X-TYPE 2002-2008

## ISO DIN HEAD UNIT PROVISION

- 1 Locate the factory wiring harness in the dash. Re-connect the negative battery terminal and test the unit for proper operation.
- 2 Mount the ISO Brackets to the head unit with the screws supplied with the unit. (Figure A)
- 3 Snap the pocket into the bottom opening of the radio housing. (Figure B)
- 4 Secure the pocket by inserting the c-clips into the opening between the pocket and the bottom of the radio housing. (Figure B)
- 5 Slide the head unit into the radio opening until the side clips engage. (Figure C)
- 6 Snap the Trim plate into the Radio Housing. (Figure C)
- 7 Attach the radio housing to the climate control bracket assembly and screw the bottom together with the two supplied Phillips screws.
- 8 Reassemble dash in reverse order of disassembly.



**JAGUAR 5-TYPE 2003-2008**  
**JAGUAR X-TYPE 2002-2008**

**DDIN HEAD UNIT PROVISION**

- 1** Locate the factory wiring harness in the dash. Re-connect the negative battery terminal and test the unit for proper operation.
  
- 2** Snap the Double DIN brackets to the inside edge of the Radio Housing. (Figure A)
  
- 3** Slide the Double DIN head unit or stacked ISO head units into the bracket/radio housing assembly and secure the Double DIN head unit or stacked ISO head units to the assembly using the screws supplied with the radio. (Figure B)
  
- 4** Snap the double DIN trim plate into the radio housing. (Figure B)
  
- 5** Attach the radio housing to the climate control bracket assembly and screw the bottom together with the two supplied Phillips screws
  
- 6** Reassemble dash in reverse order of disassembly.

