

APPLICATIONS
JAGUAR S-TYPE
2003-2008
JAGUAR X-TYPE
2002-2008
(NON-NAV MODELS)

CT24JG04

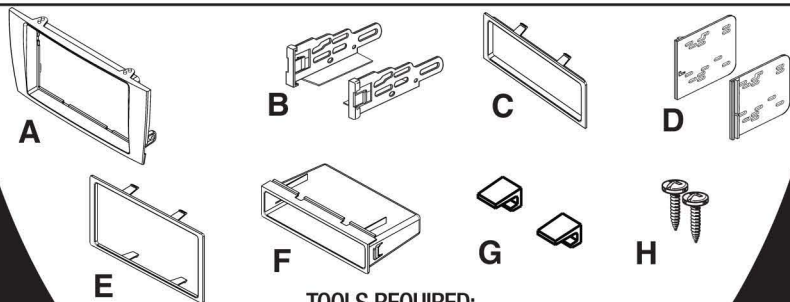
KIT FEATURES

- DIN Head Unit Provision w/ removable pocket
- ISO DIN Head Unit Provision w/ removable pocket
- DDIN Head Unit Provision
- ISO Stacked Head Unit Provision
- TWO FINISHES AVAILABLE:



KIT COMPONENTS

- A) Radio Housing B) ISO Brackets C) ISO Trim Plate D) DDIN Brackets E) DDIN Trim Plate
F) Pocket G) (2) Pocket C-Clips H) (2) Small Phillips screws



TOOLS REQUIRED:

- Small Flat Blade Screwdriver
- Torx Screwdriver
- Socket Wrench
- Cutting Tool



TABLE OF CONTENTS

Dash Disassembly

- ***Jaguar S-Type 2003-2008 1,2***
- ***Jaguar X-Type 2002-2008 3,4***

Kit Preparation

- ***Jaguar S-Type 2003-2008 5***
- ***Jaguar X-Type 2002-2008 5***

Kit Assembly

- ***DIN Head Unit Provision. 6***
- ***ISO DIN Head Unit Provision. 7***
- ***DDIN Head Unit Provision. 8***

***Note:**

Refer also to the instructions included with the aftermarket radio.

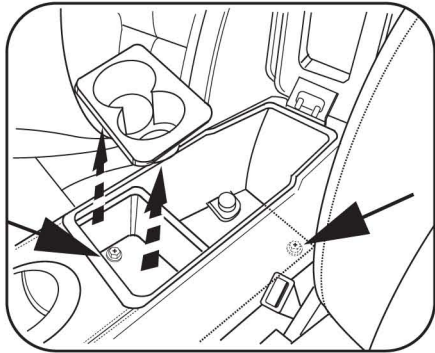
JAGUAR 5-TYPE 2003-2008

NON-NAV MODELS

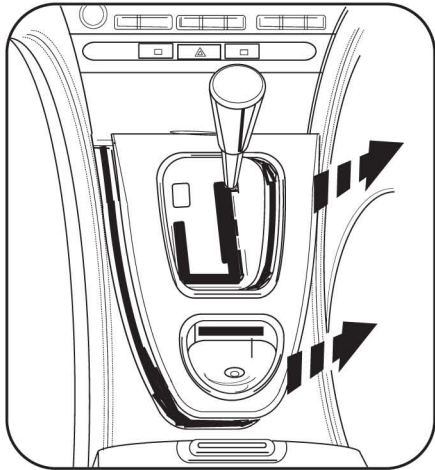
- 1** Disconnect the negative battery terminal to prevent an accidental short circuit.
- 2** Remove cup holder and (2) screws securing center console storage compartment and remove compartment. (Figure A)
- 3** Unclip and remove the trim panel around the shifter. (Figure B)

Continued on page 2

A



B

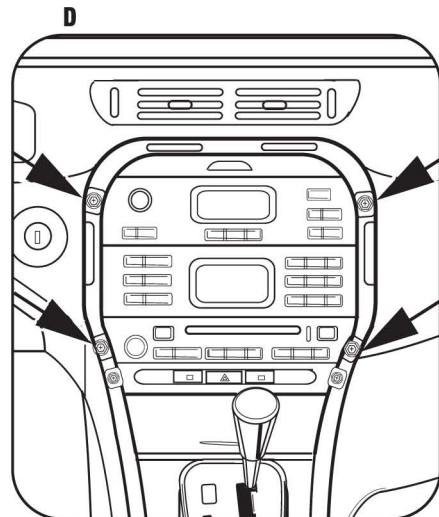
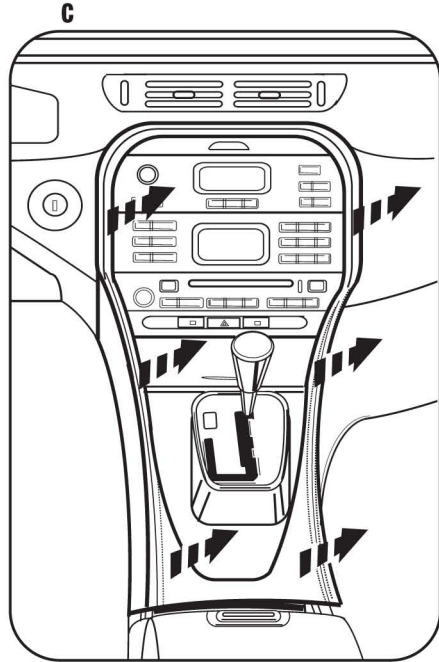


JAGUAR 5-TYPE 2003-2008

NON-NAV MODELS

- 4** Unclip and remove the trim panel surrounding the radio/climate controls/ashtray and front half of the center console. (Figure C)
- 5** Remove (4) screws securing the radio/climate control assembly to the dash. Unplug and remove assembly. (Figure D)
- 6** Remove (4) screws securing the radio to the assembly and remove the radio. Retain the assembly for re-use during kit assembly.

Continue to kit assembly

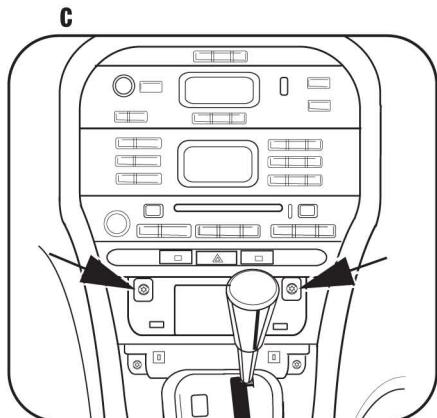
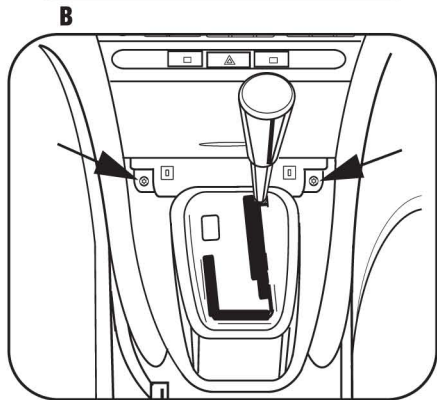
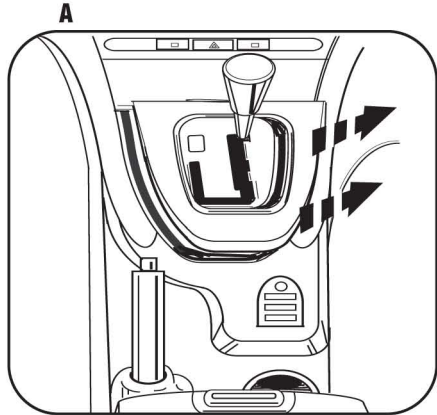


JAGUAR X-TYPE 2002-2008

NON-NAV MODELS

- 1 Disconnect the negative battery terminal to prevent an accidental short circuit.
- 2 Unclip and remove the trim panel around the shifter. (Figure A)
- 3 Remove (2) screws from bottom edge of ashtray assembly then unclip and remove ashtray assembly. (Figure B)
- 4 Remove (2) screws from inside ashtray cavity at bottom edge of radio. (Figure C)

Continued on page 4



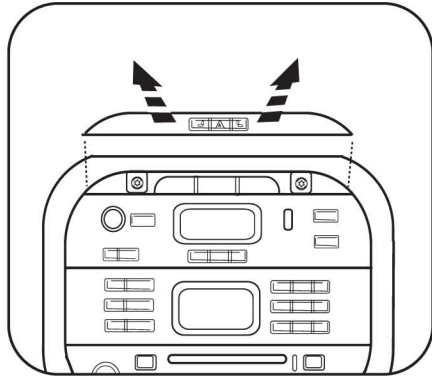
JAGUAR X-TYPE 2002-2008

NON-NAV MODELS

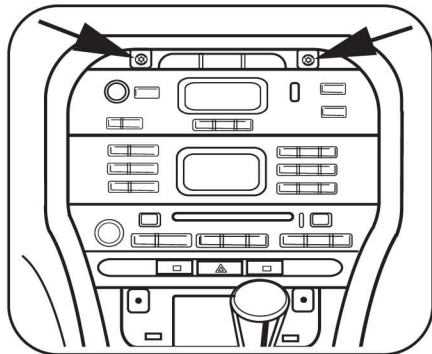
- 5** Unclip, unplug and remove hazard switch/seat heater switch trim panel above climate control/radio assembly. (Figure D)
- 6** Remove (2) screws from inside switch panel cavity at top edge of climate controls. (Figure E)
- 7** Unplug and remove the climate control/radio assembly. (Figure F)
- 8** Remove (4) screws securing the radio to the assembly and remove the radio. Retain the assembly for re-use during kit assembly.

Continue to kit assembly

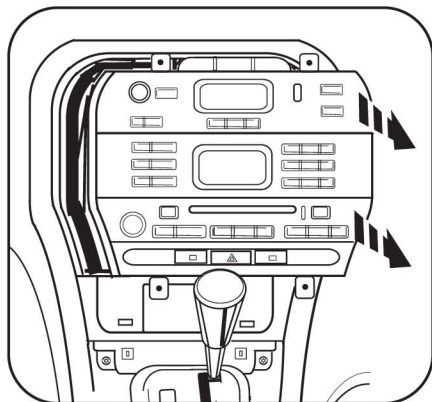
D



E



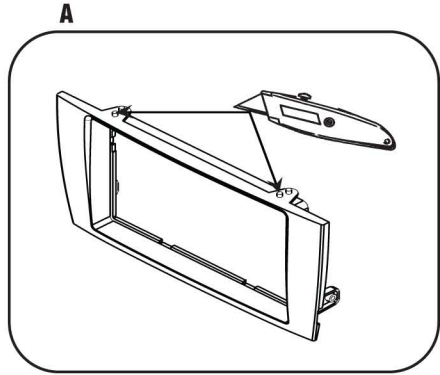
F



KIT PREPARATION

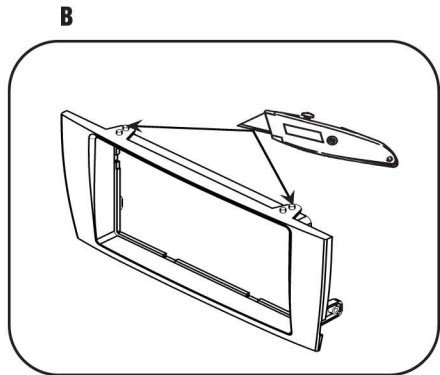
JAGUAR S-TYPE 2003-08

Cut and remove the locator closest to the face of the radio housing for the S-Type. (Figure A)



JAGUAR X-TYPE 2002-08

Cut and remove the locator farthest from the face of the radio housing for the X-Type. (Figure B)



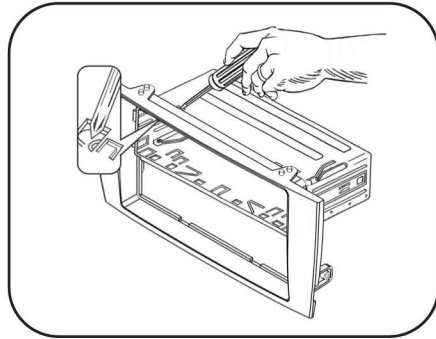
Continue to kit assembly

JAGUAR S-TYPE 2003-2008 **JAGUAR X-TYPE 2002-2008**

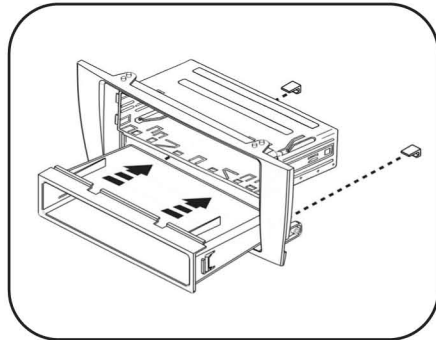
DIN HEAD UNIT PROVISION

- 1** Locate the factory wiring harness in the dash. Re-connect the negative battery terminal and test the unit for proper operation.
- 2** Slide the DIN cage into the Radio Housing and secure by bending the metal locking tabs down. (Figure A)
- 3** Snap the pocket into the bottom opening of the radio housing. (Figure B)
- 4** Secure the pocket by inserting the c-clips into the opening between the pocket and the bottom of the radio housing. (Figure B)
- 5** Slide the aftermarket head unit into the cage and secure. (Figure C)
- 6** Attach the radio housing to the climate control bracket assembly and screw the bottom together with the two supplied Phillips screws.
- 7** Reassemble dash in reverse order of disassembly.

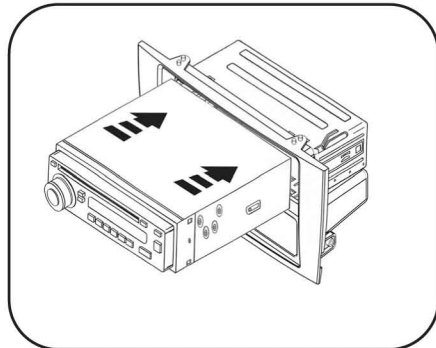
A



B



C

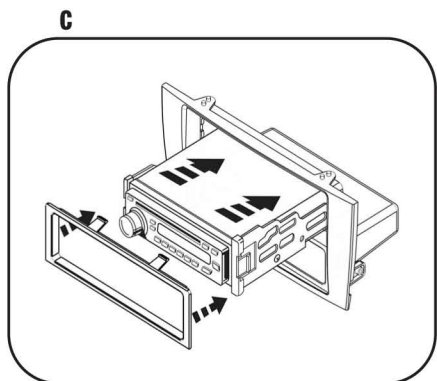
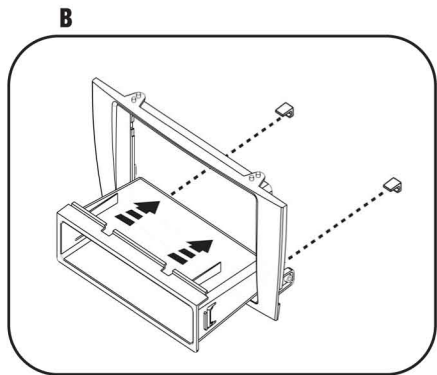
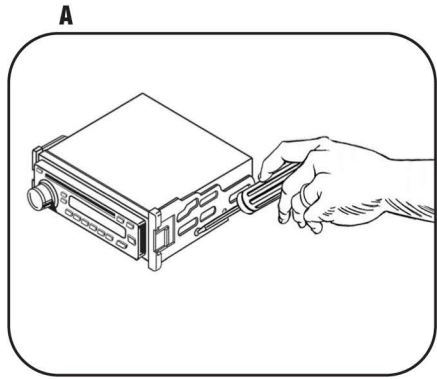


JAGUAR S-TYPE 2003-2008

JAGUAR X-TYPE 2002-2008

ISO DIN HEAD UNIT PROVISION

- 1 Locate the factory wiring harness in the dash. Re-connect the negative battery terminal and test the unit for proper operation.
- 2 Mount the ISO Brackets to the head unit with the screws supplied with the unit. (Figure A)
- 3 Snap the pocket into the bottom opening of the radio housing. (Figure B)
- 4 Secure the pocket by inserting the c-clips into the opening between the pocket and the bottom of the radio housing. (Figure B)
- 5 Slide the head unit into the radio opening until the side clips engage. (Figure C)
- 6 Snap the Trim plate into the Radio Housing. (Figure C)
- 7 Attach the radio housing to the climate control bracket assembly and screw the bottom together with the two supplied Phillips screws.
- 8 Reassemble dash in reverse order of disassembly.



JAGUAR 5-TYPE 2003-2008
JAGUAR X-TYPE 2002-2008

DDIN HEAD UNIT PROVISION

- 1** Locate the factory wiring harness in the dash. Re-connect the negative battery terminal and test the unit for proper operation.

- 2** Snap the Double DIN brackets to the inside edge of the Radio Housing. (Figure A)

- 3** Slide the Double DIN head unit or stacked ISO head units into the bracket/radio housing assembly and secure the Double DIN head unit or stacked ISO head units to the assembly using the screws supplied with the radio. (Figure B)

- 4** Snap the double DIN trim plate into the radio housing. (Figure B)

- 5** Attach the radio housing to the climate control bracket assembly and screw the bottom together with the two supplied Phillips screws

- 6** Reassemble dash in reverse order of disassembly.

