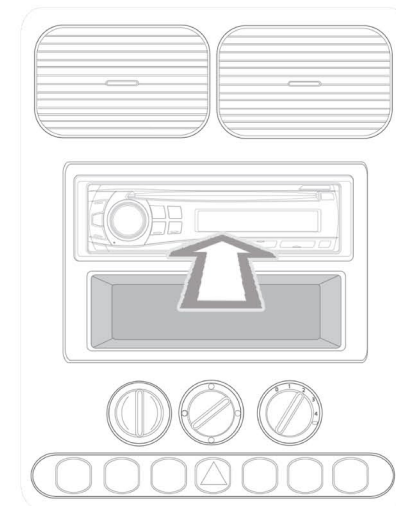
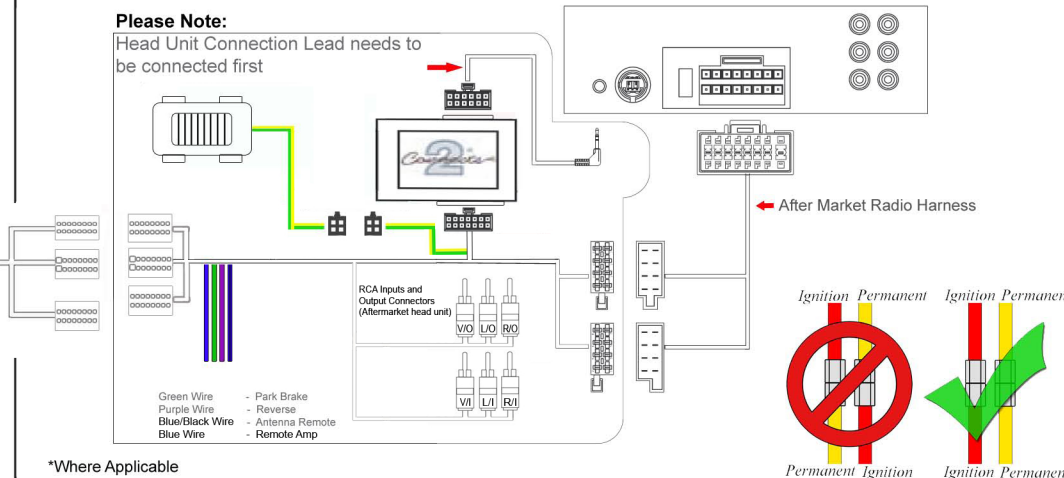
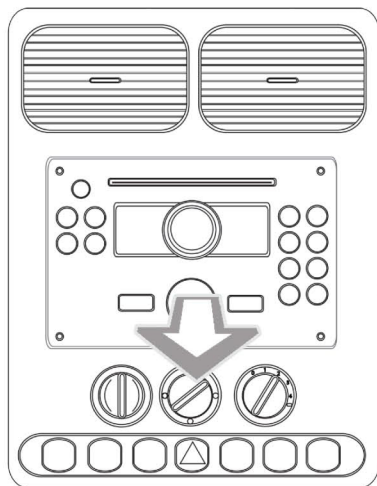


# Installation Guide

Part No: CTSGM002

Chevrolet Steering Wheel Control Interface



## Vehicle Compatibility:

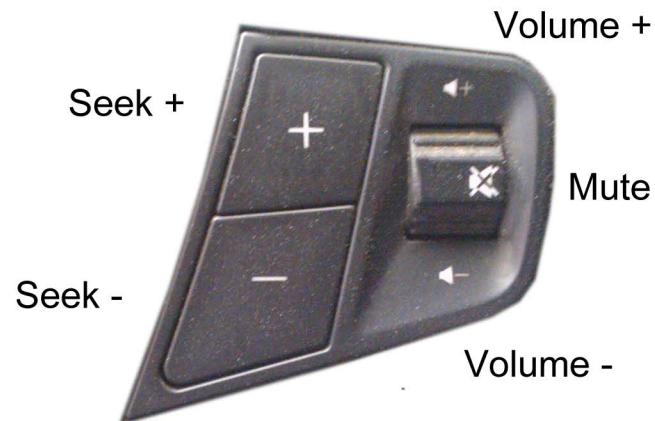
Compatible with OEM amplified systems and rear seat entertainment

Buick Enclave 2007-2011  
Buick Lucerne 2007-2010

Chevrolet Equinox 2007-2013  
Chevrolet Silverado 2007-2013  
Chevrolet Suburban 2006-2014  
Chevrolet Tahoe 2007-2014  
Chevrolet Traverse 2009-2013

GMC Acadia 2007-2013  
GMC Sierra 2007-2013  
GMC Yukon 2007-2014

## Steering Wheel Control Functions



\* Note All Dates are guide lines only as specifications of vehicles change