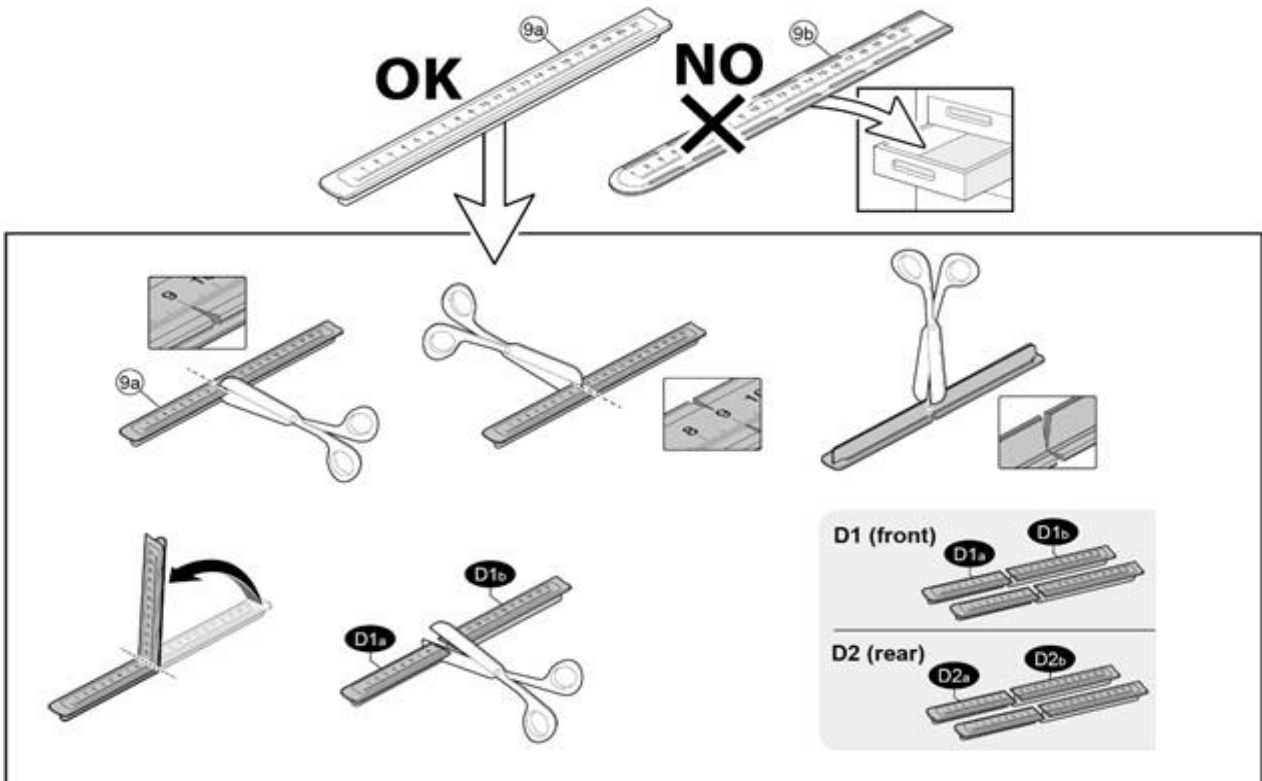


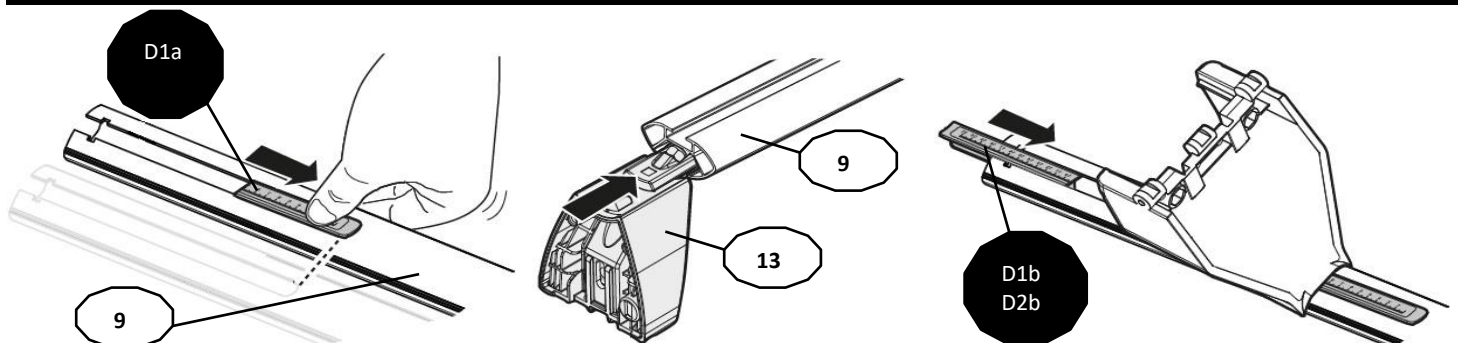
FIXING KIT DELTA

1



MANUFACTURER	MODEL CAR	DOORS	MODEL YEAR	D1	D2
FORD	Kuga II	5	12>	10,3	9,1
VOLKSWAGEN	Polo V (6R/6C)	3	09>17	12,3	10,5

2



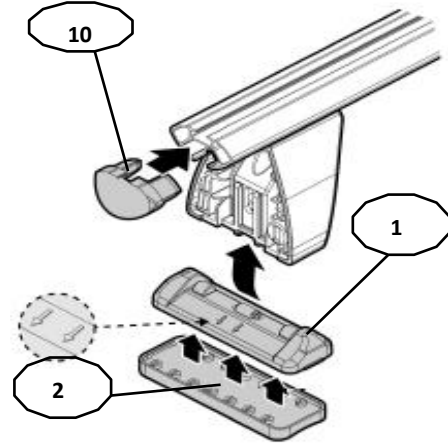
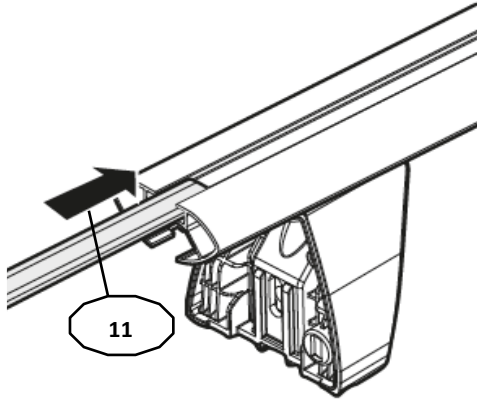
Front



Rear

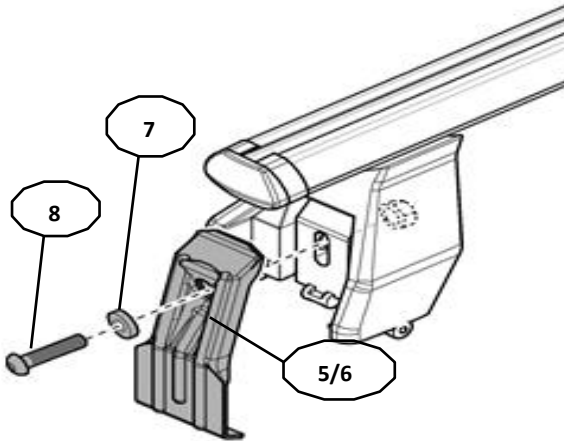


3

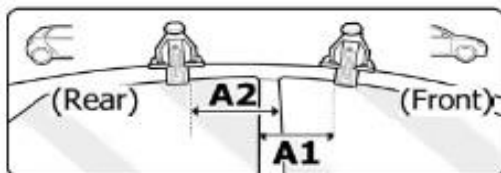
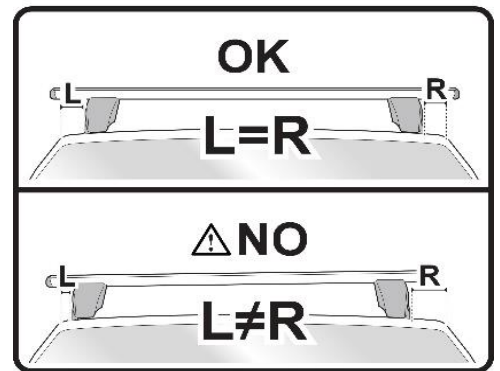
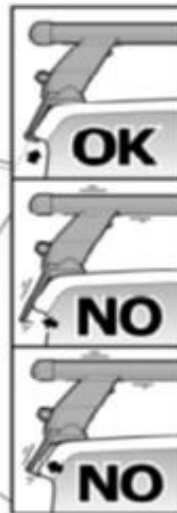
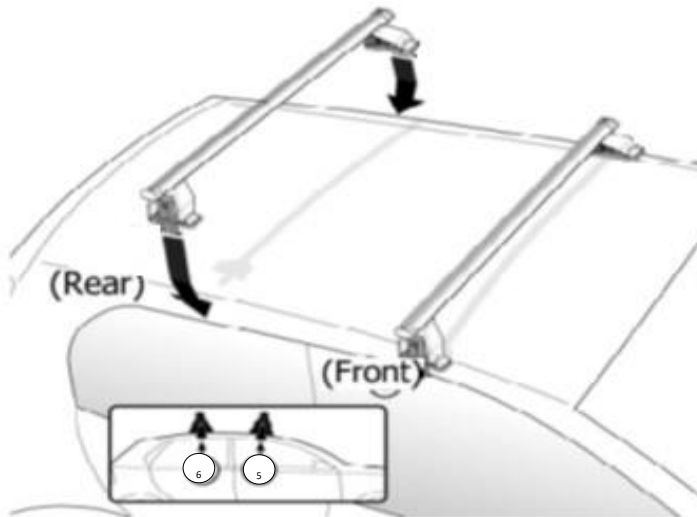


x4

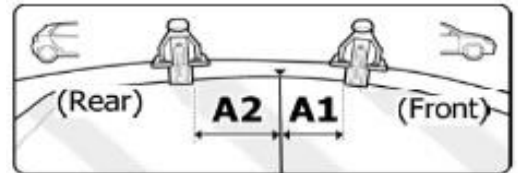
4



Front	Rear
5	6
40	13R
2X	2X



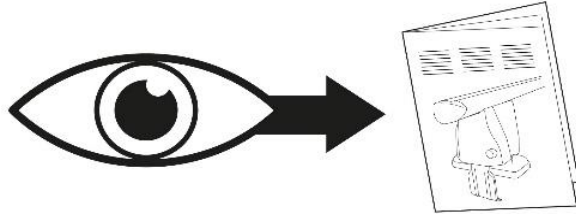
OR



MANUFACTURER	MODEL CAR	DOORS	MODEL YEAR	A1	A2	A1	A2
				cm	cm	in	in
FORD	<i>Kuga II</i>	5	12>	15	55	5,9	21,7
VOLKSWAGEN	<i>Polo V (6R/6C)</i>	3	09>17	49	X	19,3	X

X = predisposizione originale /original arrangement

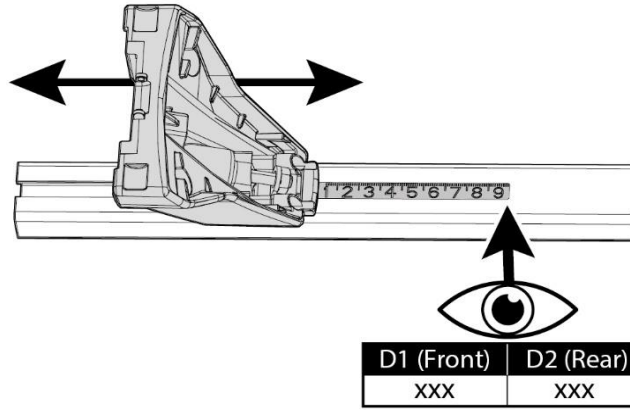
5



MANUAL DELTA

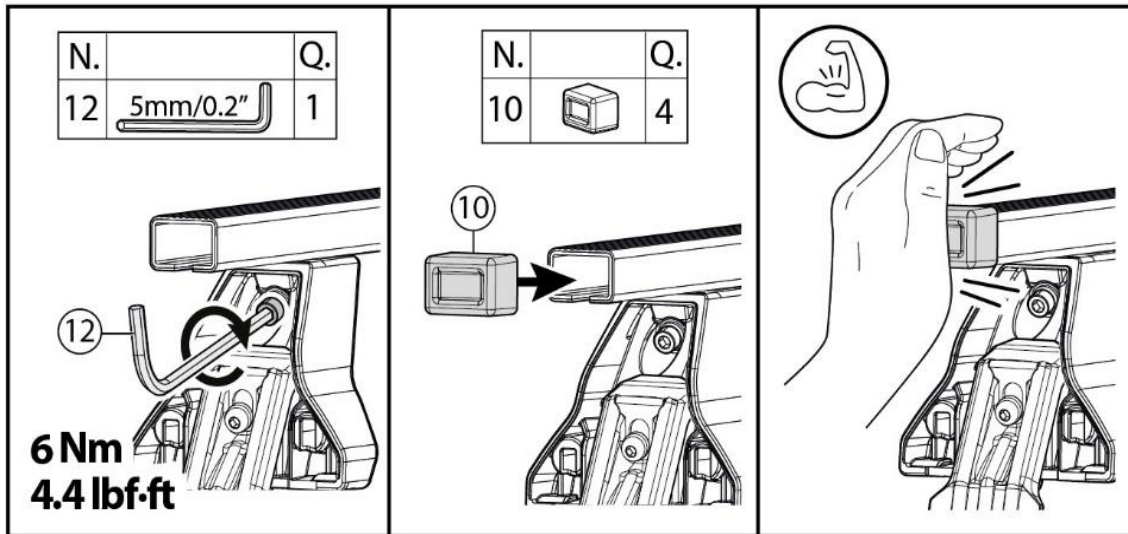
FIXING KIT OMEGA

2

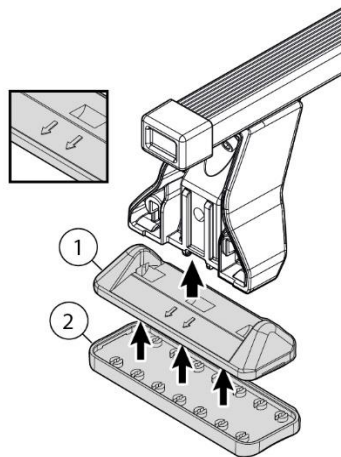


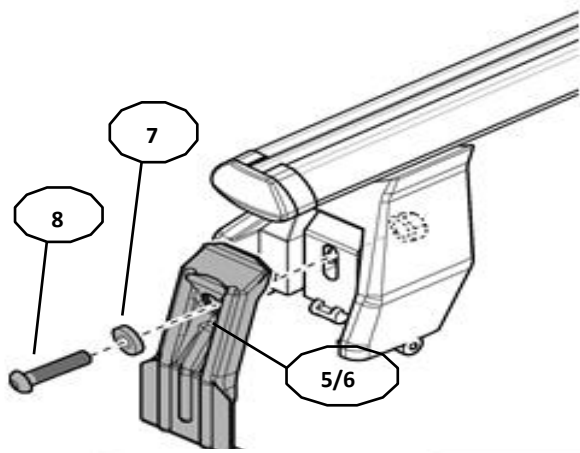
MANUFACTURER	MODEL CAR	DOORS	MODEL YEAR	D1	D2
FORD	Kuga II	5	12>	10,3	9,1
VOLKSWAGEN	Polo V (6R/6C)	3	09>17	12,3	10,5

3

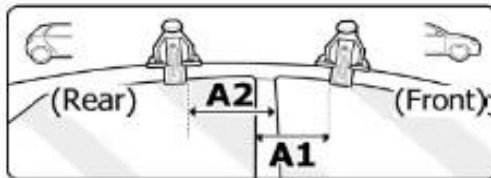
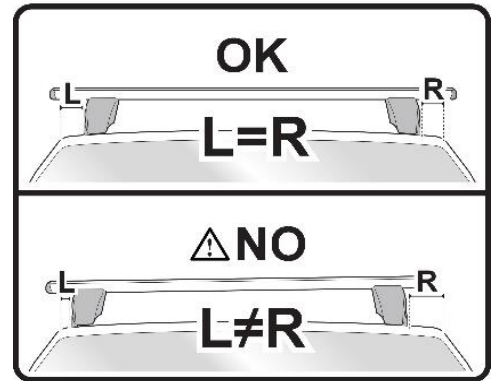
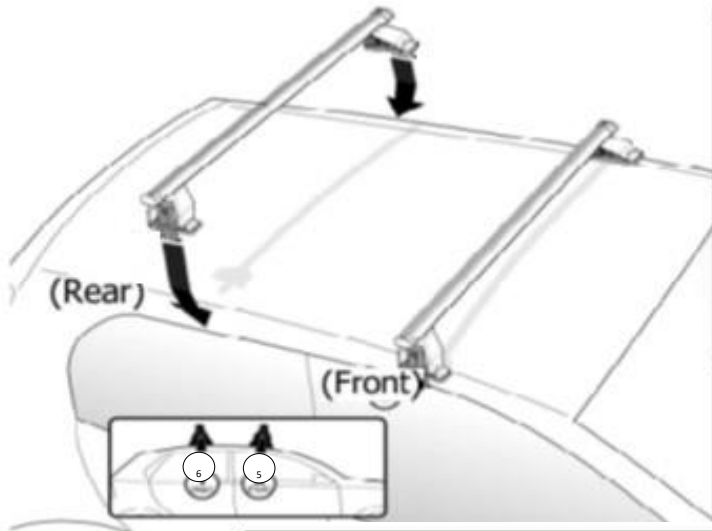


4

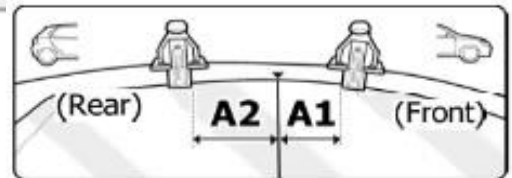




Front 5	Rear 6
40 2X	13R 2X

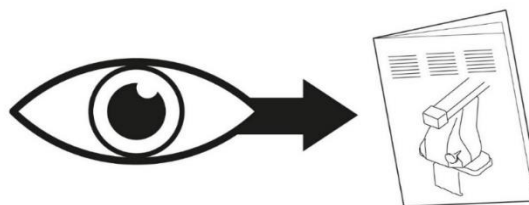


OR



MANUFACTURER	MODEL CAR	DOORS	MODEL YEAR	A1	A2	A1	A2
				cm	cm	in	in
FORD	Kuga II	5	12>	15	55	5,9	21,7
VOLKSWAGEN	Polo V (6R/6C)	3	09>17	49	X	19,3	X

X = predisposizione originale /original arrangement



MANUAL OMEGA

NOTE:
