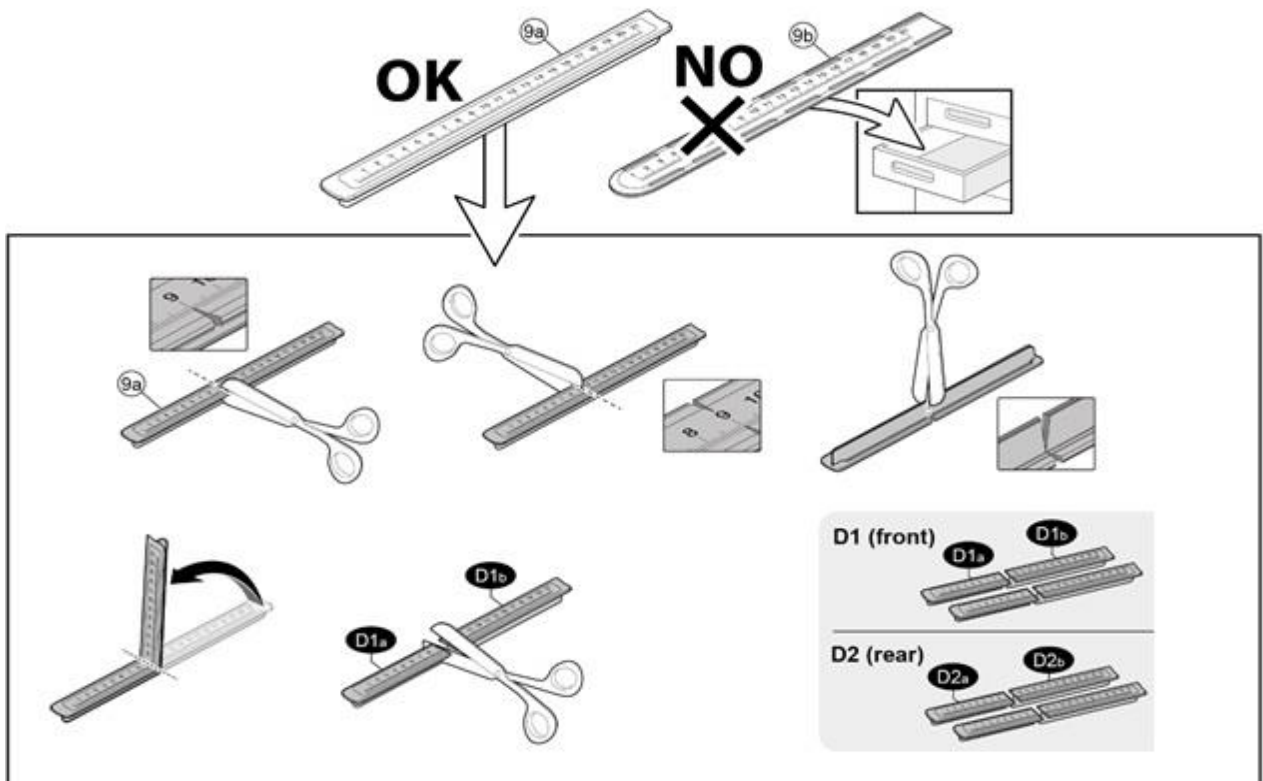


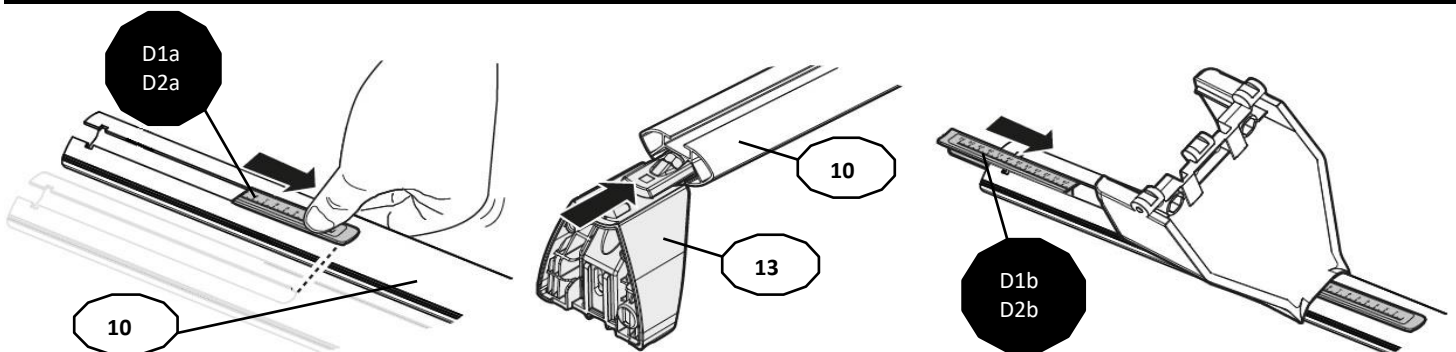
## FIXING KIT DELTA

### 1

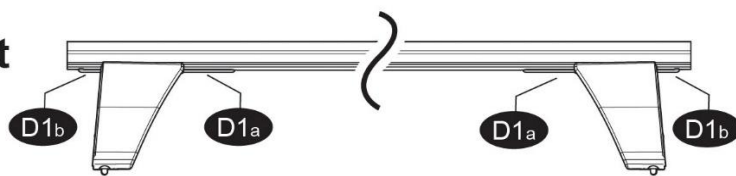


MANUFACTURER	MODEL CAR	DOORS	MODEL YEAR	D1	D2
CITROEN	C3 (Mk3)	5	16>	11,7	10,6
DS	5	5	15>	6,7	4,4
JAGUAR	F-Pace	5	16>	9,0	8,1

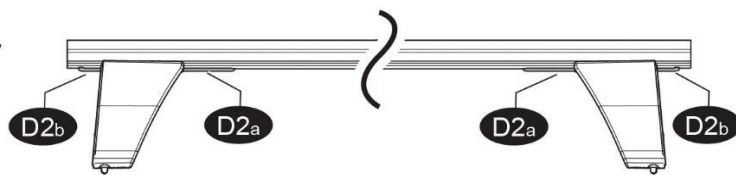
### 2



Front

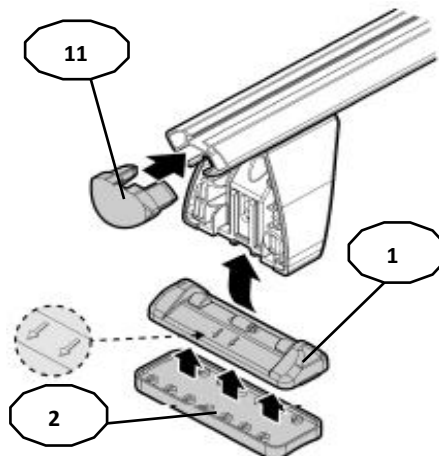
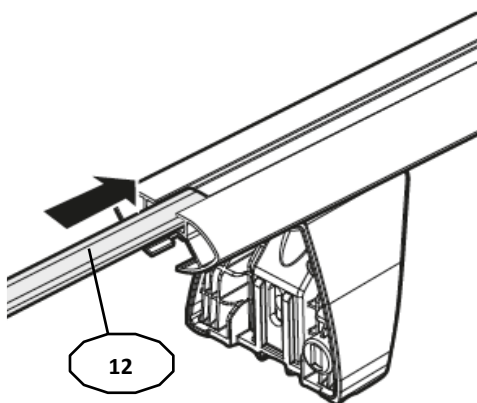


Rear

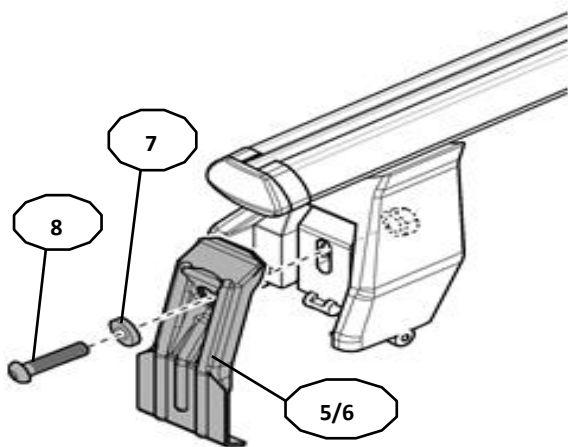


3

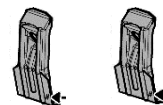
x4



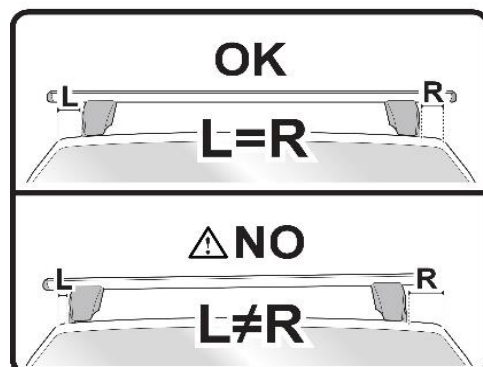
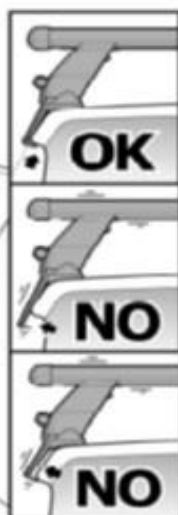
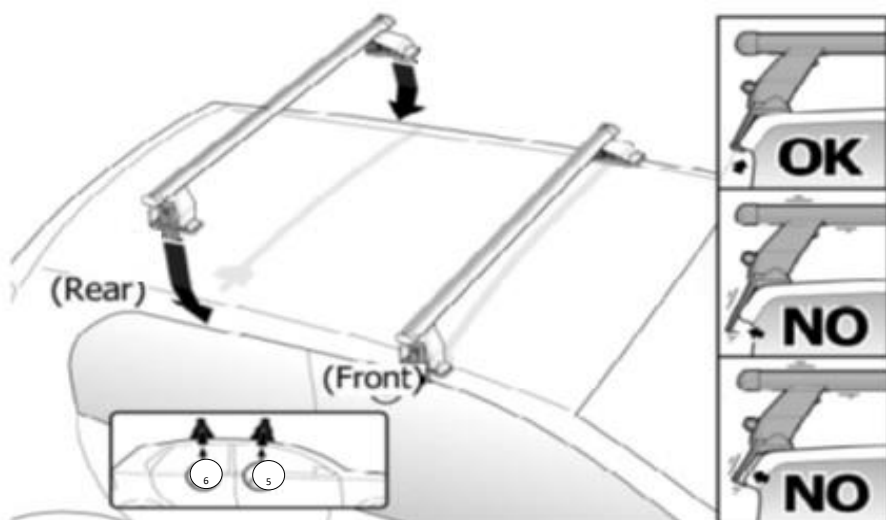
4

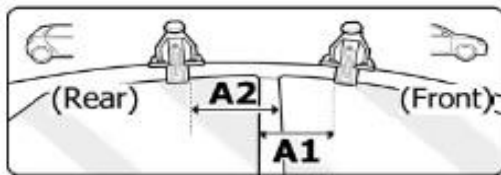


Front	Rear
5	6

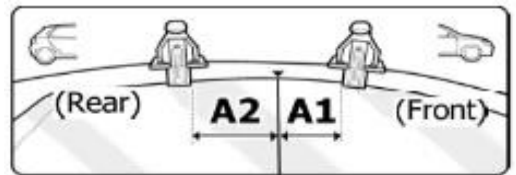


37R	37R
2X	2X





OR

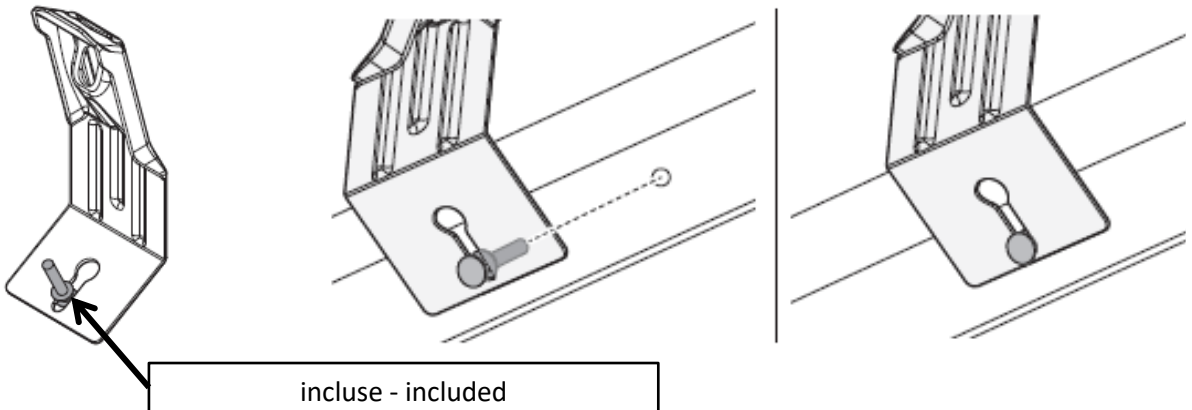


MANUFACTURER	MODEL CAR	DOORS	MODEL YEAR	A1	A2	A1	A2
				cm	cm	in	in
CITROEN	C3 (Mk3)	5	16>	X	X	X	X
DS	5	5	15>	28	38	11,0	15,0
JAGUAR	F-Pace	5	16>	19	46	7,5	18,1

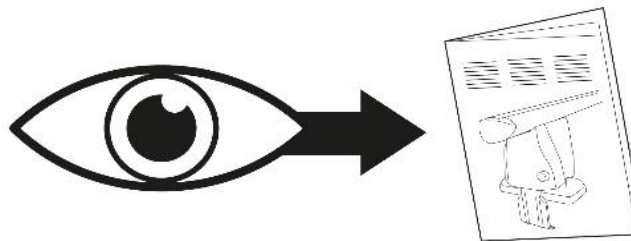
X = predisposizione originale /original arrangement

## 4a

MANUFACTURER	MODEL CAR	DOORS	MODEL YEAR
CITROEN	C3 (Mk3)	5	16>



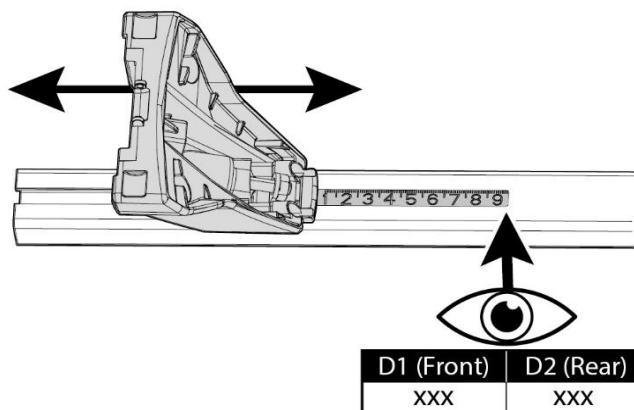
## 5



**MANUAL DELTA**

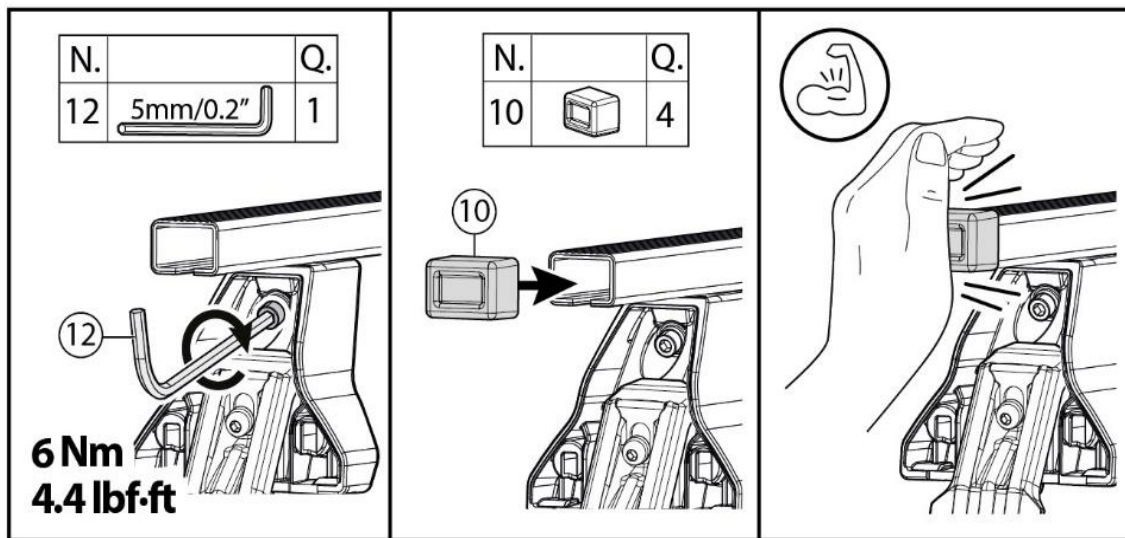
# FIXING KIT OMEGA

2

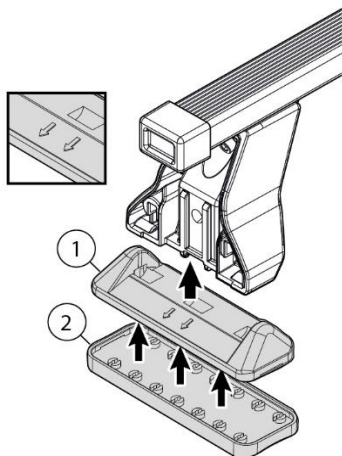


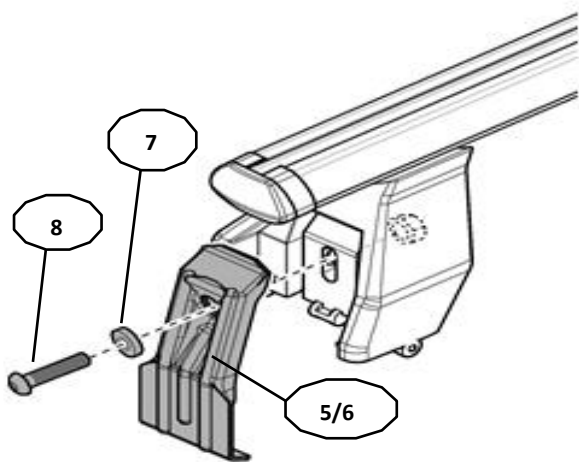
MANUFACTURER	MODEL CAR	DOORS	MODEL YEAR	D1	D2
CITROEN	C3 (Mk3)	5	16>	11,7	10,6
DS	5	5	15>	6,7	4,4
JAGUAR	F-Pace	5	16>	9,0	8,1

3

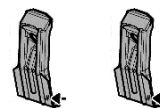


4

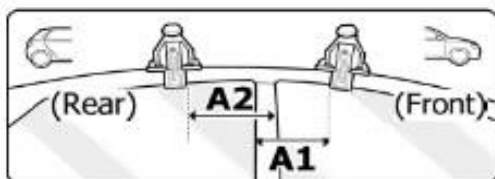
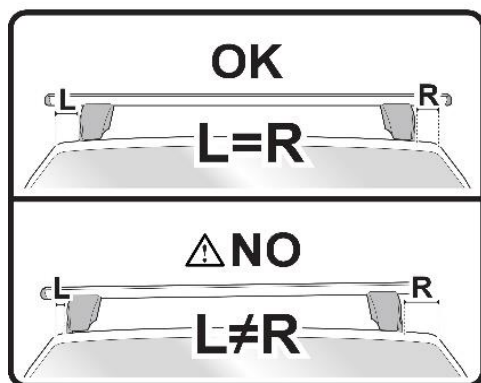
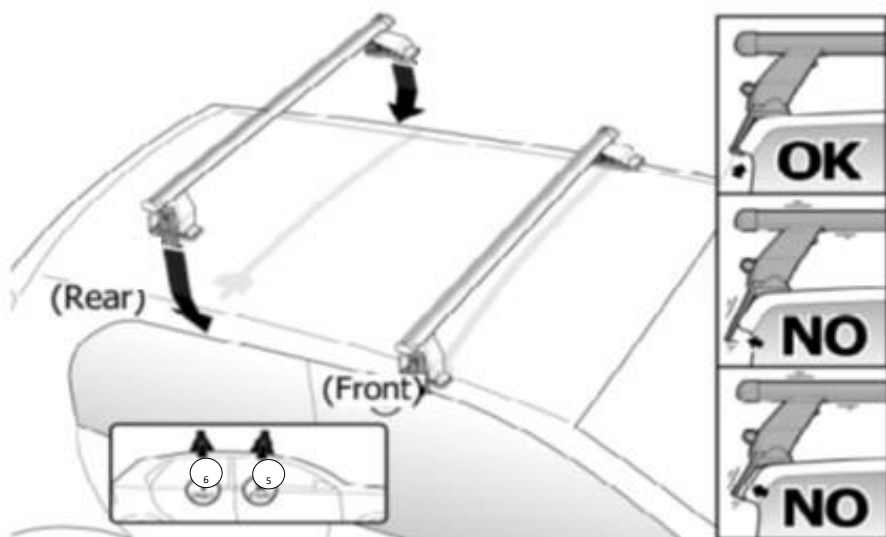




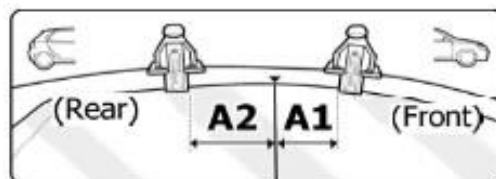
Front	Rear
5	6



37R	37R
2X	2X



OR

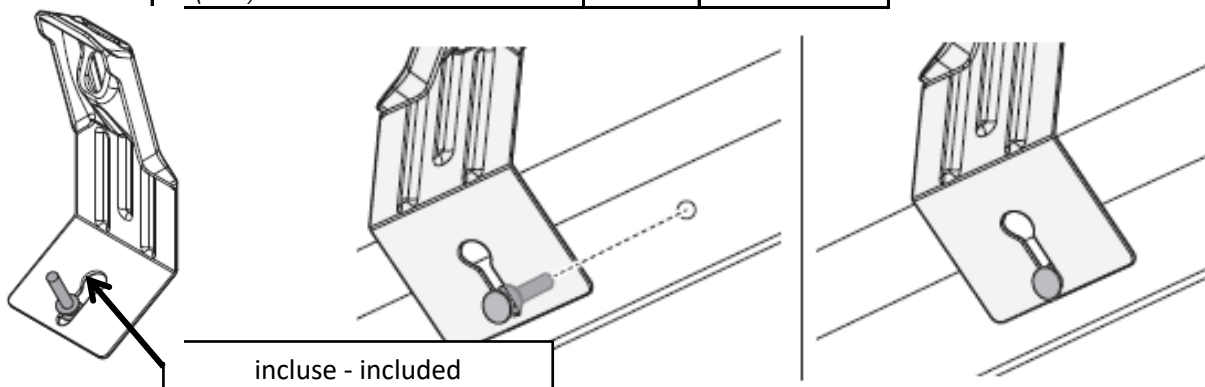


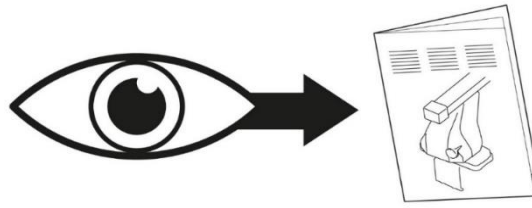
MANUFACTURER	MODEL CAR	DOORS	MODEL YEAR	A1	A2	A1	A2
				cm	cm	in	in
CITROEN	C3 (Mk3)	5	16>	X	X	X	X
DS	5	5	15>	28	38	11,0	15,0
JAGUAR	F-Pace	5	16>	19	46	7,5	18,1

X = predisposizione originale /original arrangement

5 a

MANUFACTURER	MODEL CAR	DOORS	MODEL YEAR
CITROEN	C3 (Mk3)	5	16>





**MANUAL OMEGA**

NOTE:

---

---

---

---