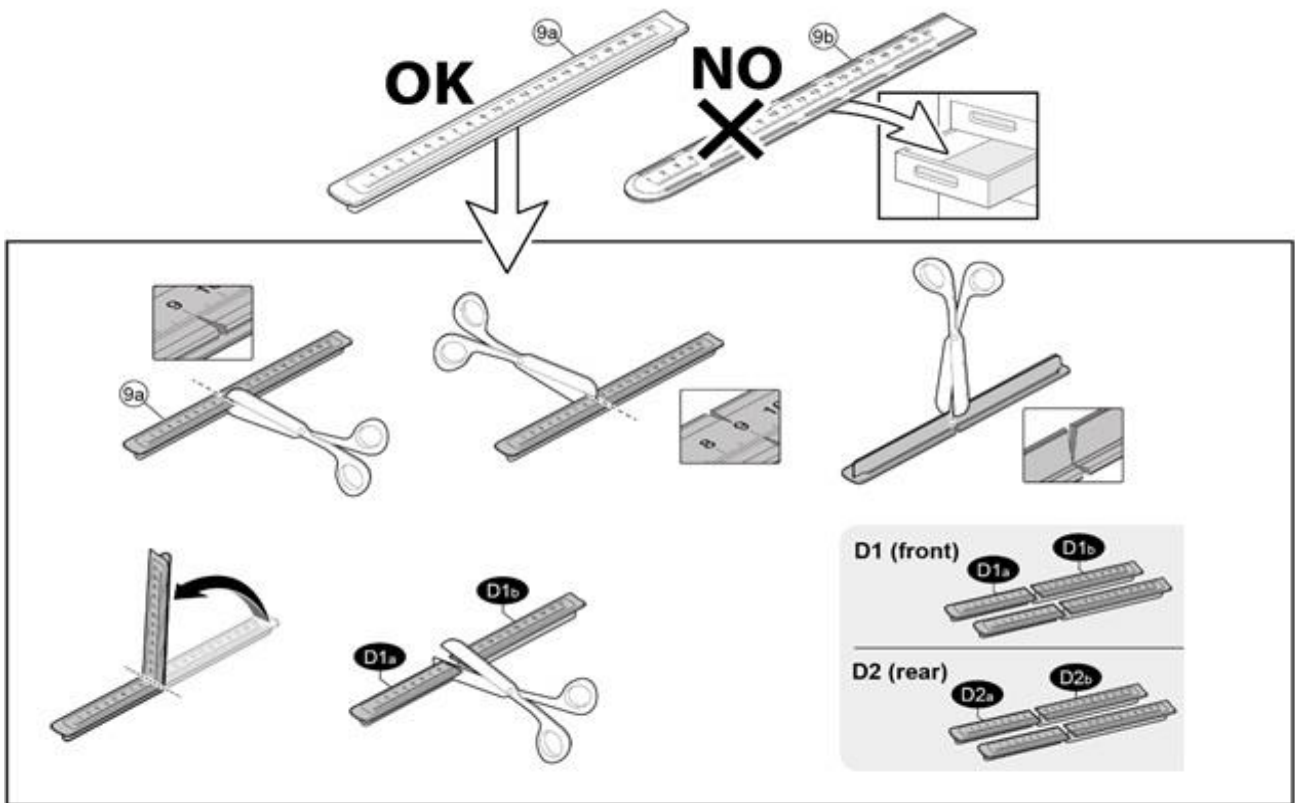


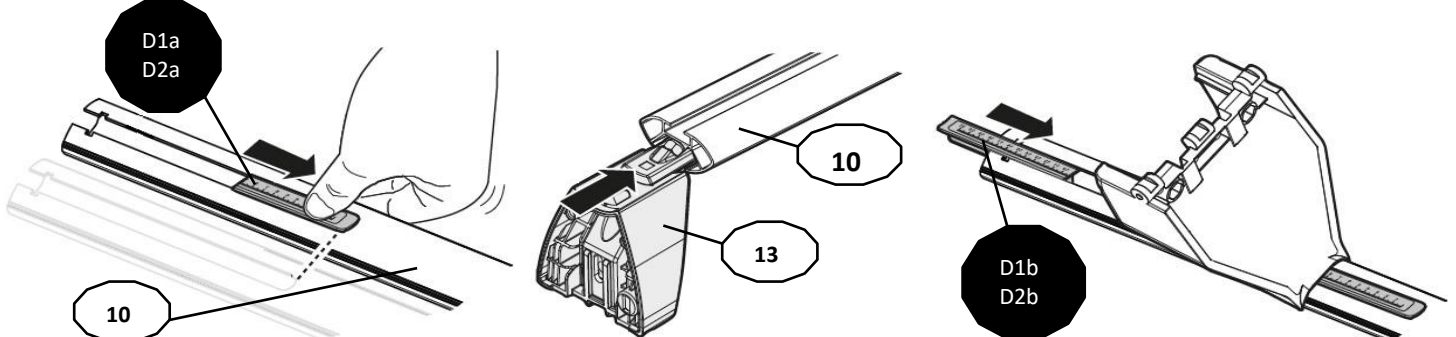
FIXING KIT DELTA

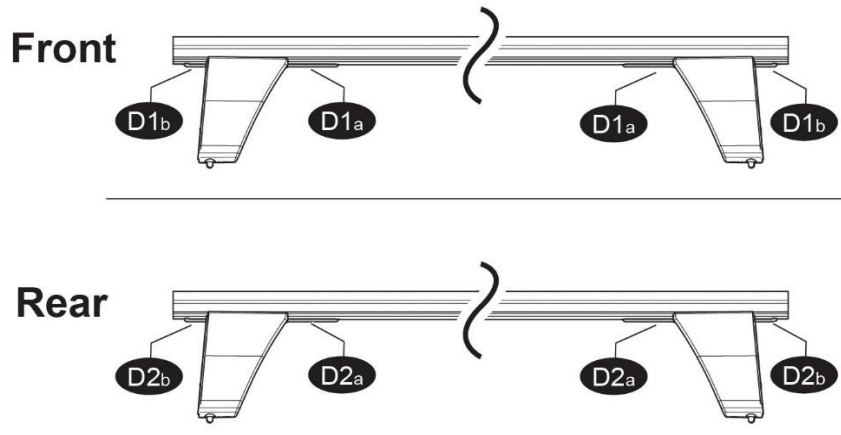
1



MANUFACTURER	MODEL CAR	DOORS	MODEL YEAR	D1	D2
PEUGEOT	405 / Sedan	4	95>	4,3	7,2
PEUGEOT	Pars / Persia / Safir	4	01>	4,3	7,2

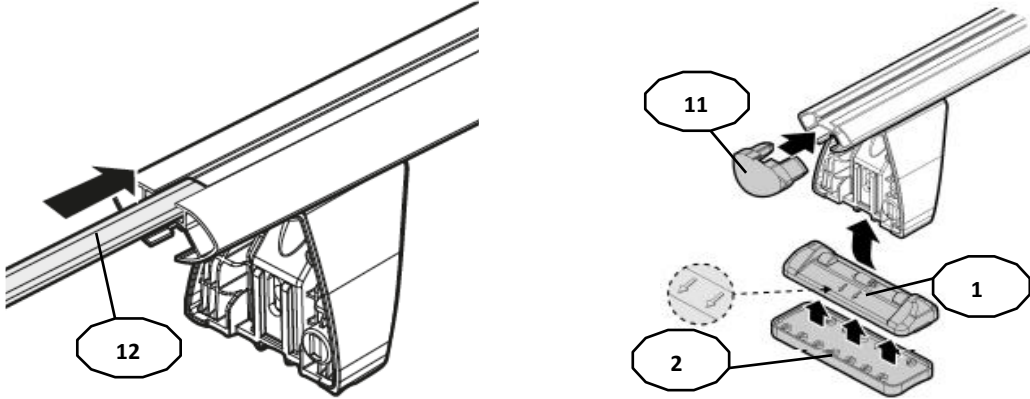
2



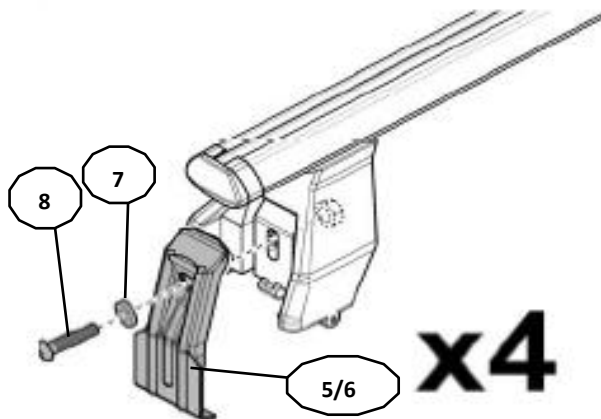
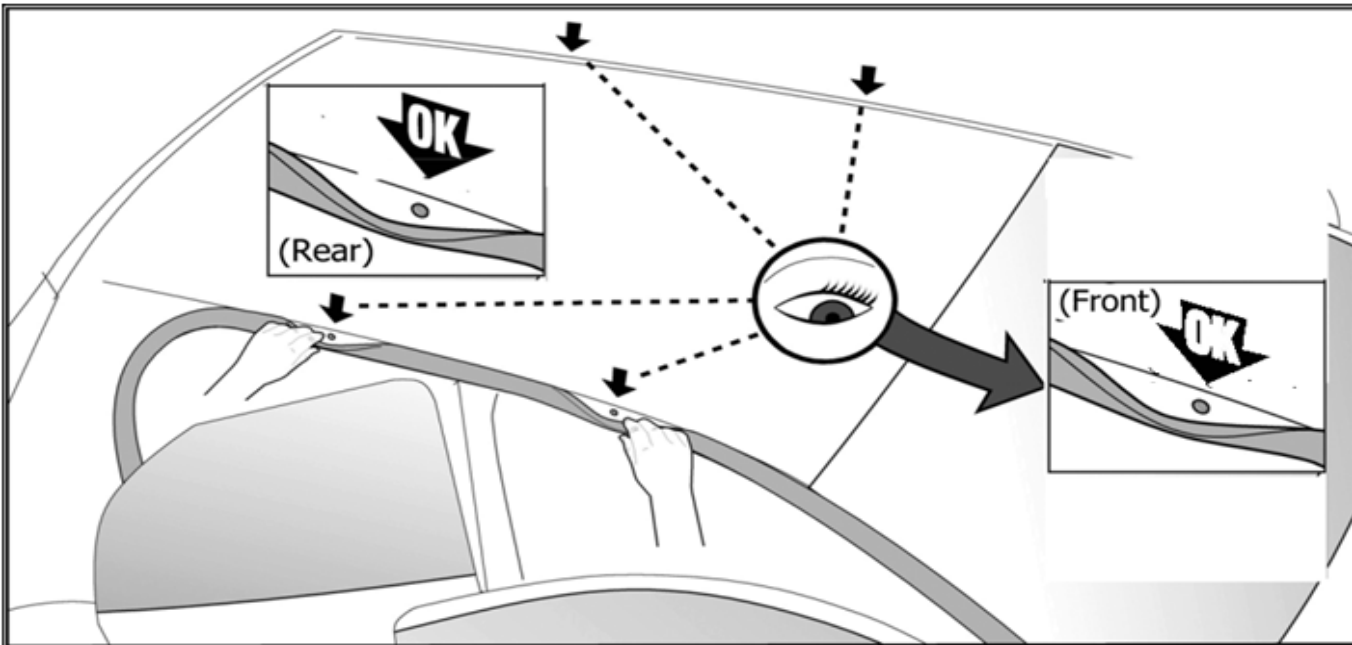


3

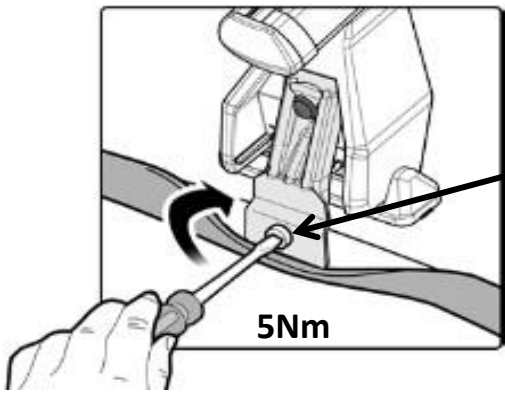
x4



4

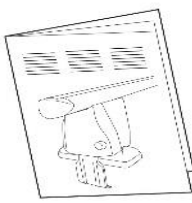


Front	Front
5	6
10	10
2X	2X



4 ⊕ M8x15 incluse - included

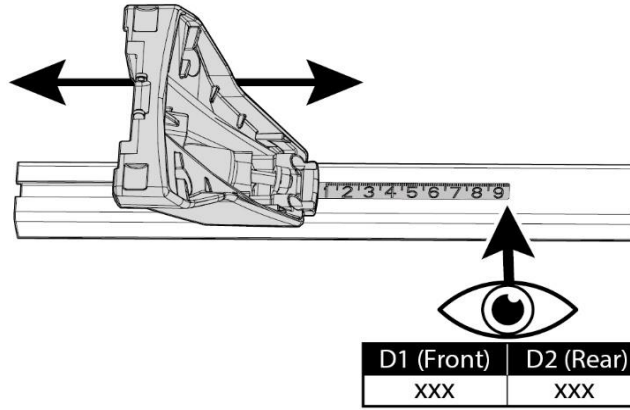
5



MANUAL DELTA

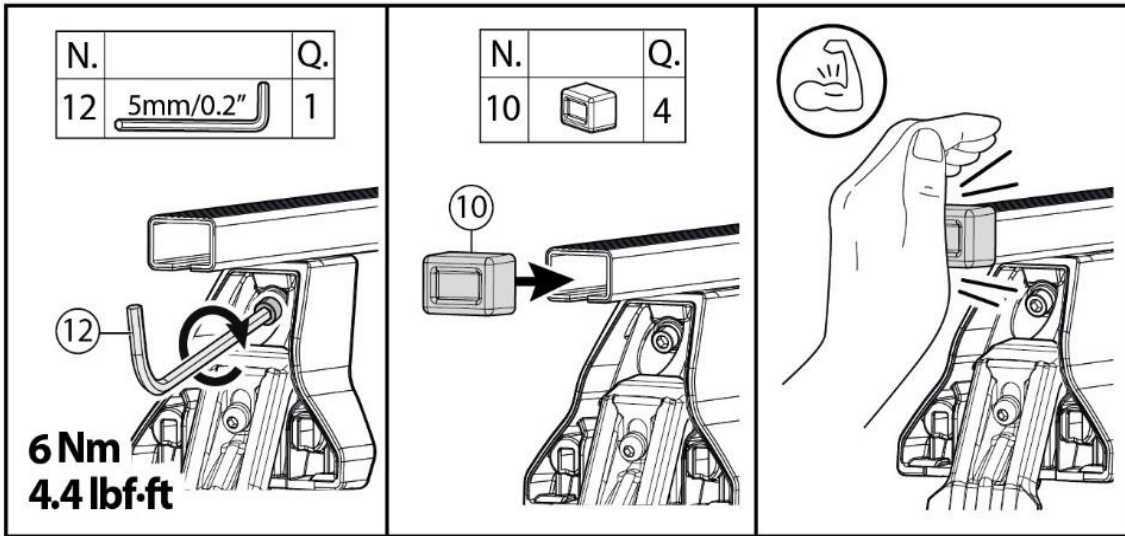
FIXING KIT OMEGA

2

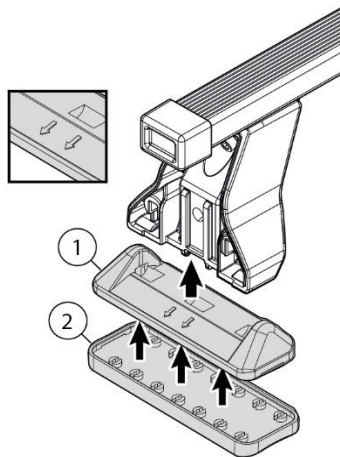


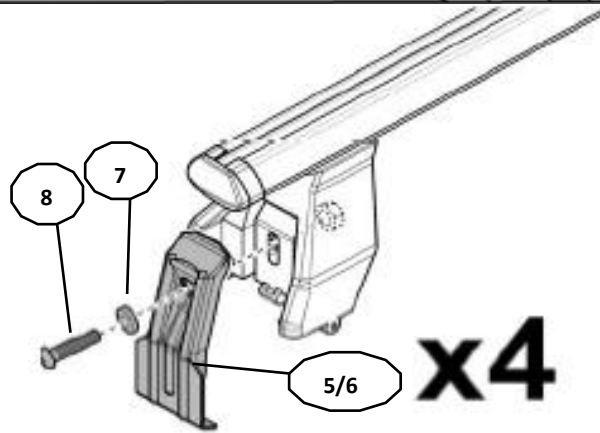
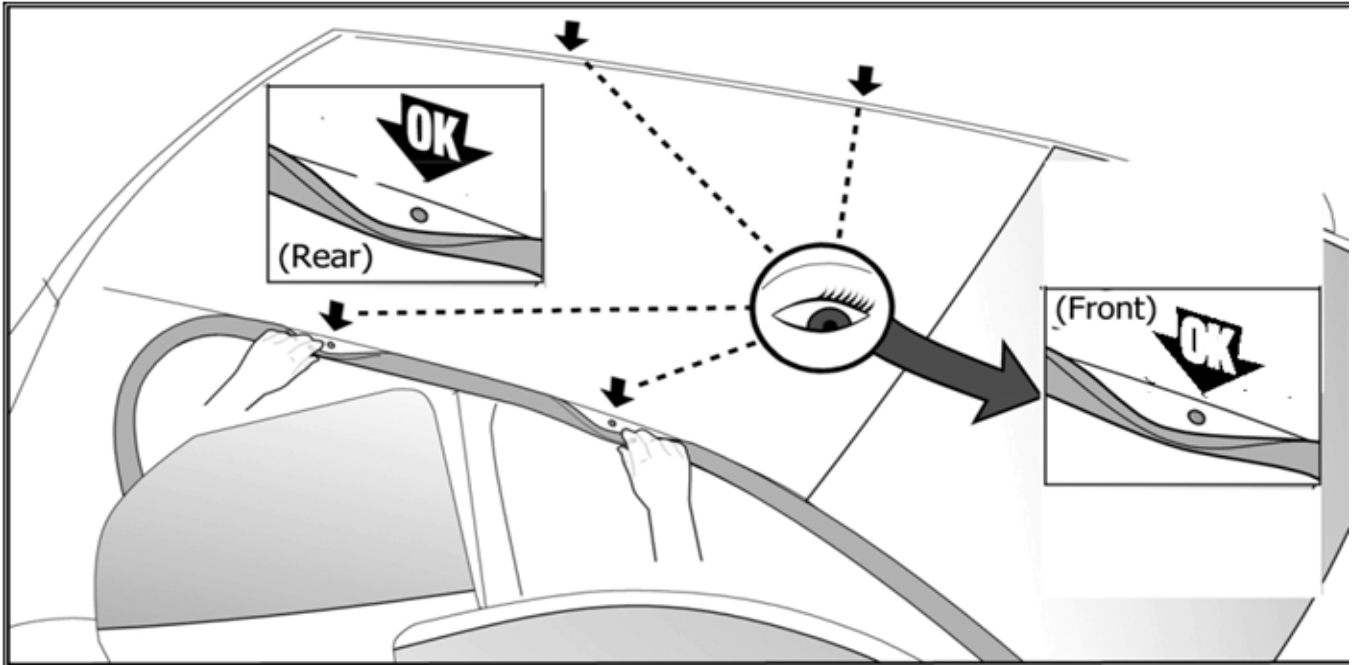
MANUFACTURER	MODEL CAR	DOORS	MODEL YEAR	D1	D2
PEUGEOT	405 / Sedan	4	95>	4,3	7,2
PEUGEOT	Pars / Persia / Safir	4	01>	4,3	7,2

3

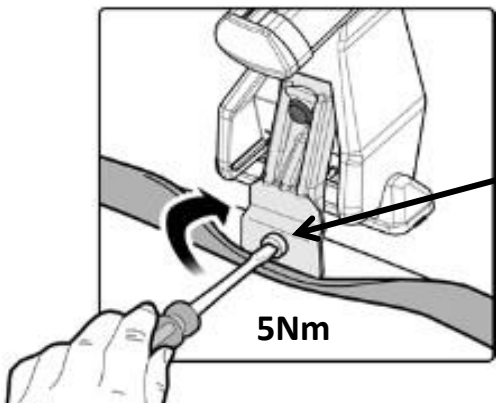


4

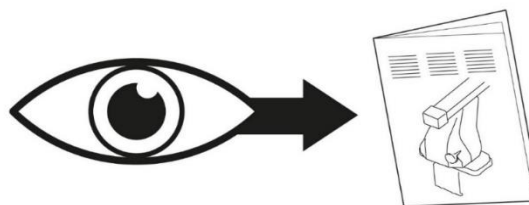




Front	Front
5	6
10	10
2X	2X



⊕ M8x15 include - included



MANUAL OMEGA

NOTE:
