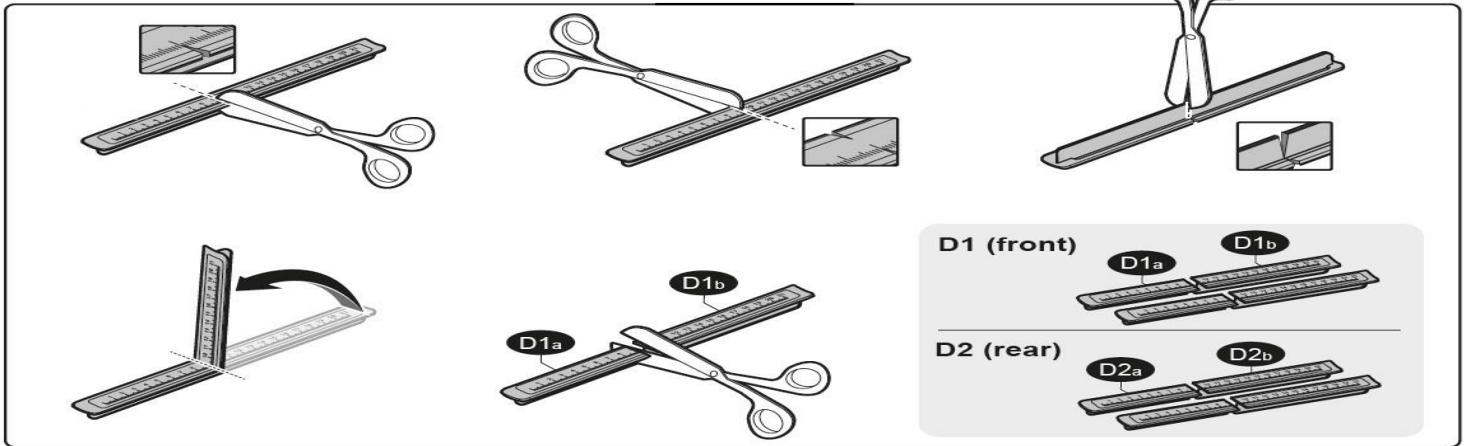


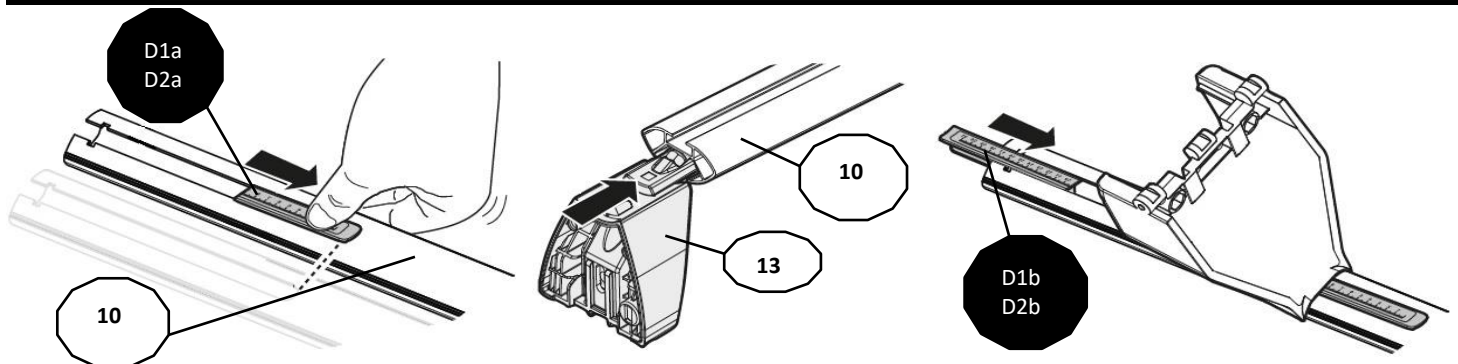
FIXING KIT DELTA

1



MANUFACTURER	MODEL CAR	DOORS	MODEL YEAR	D1	D2
VOLKSWAGEN	Polo VI (AW)	5	17>21	12,9	9,4
VOLKSWAGEN	Polo VI (AE1)	5	21>	12,9	9,4

2

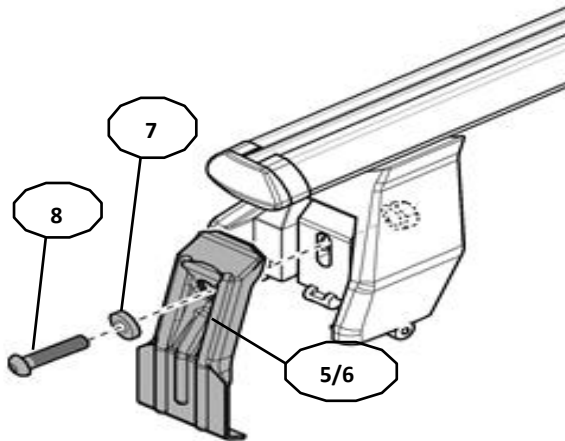
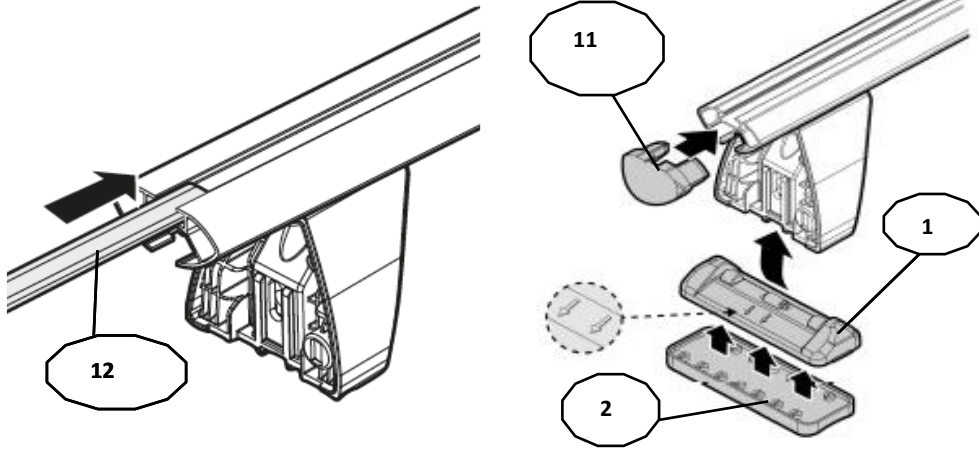


Front

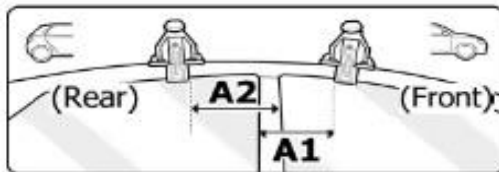
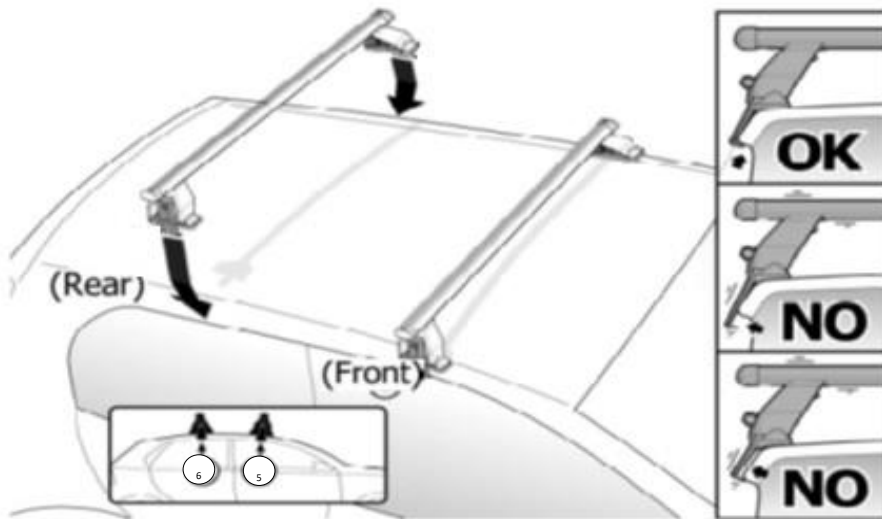
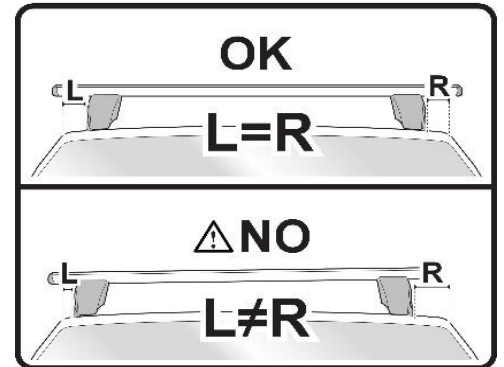


Rear

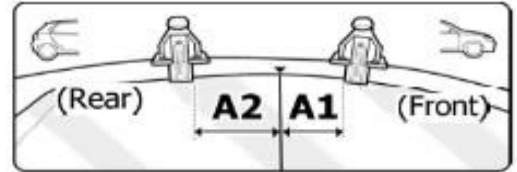




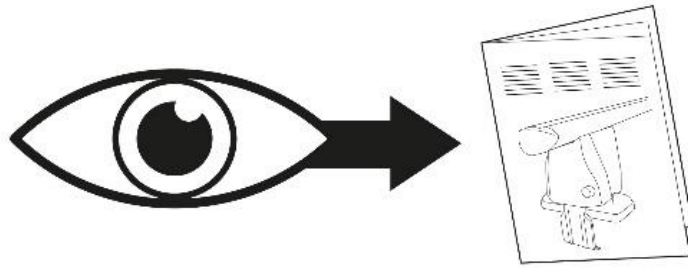
Front	Rear
5	6
13R	13R
2X	2X



OR



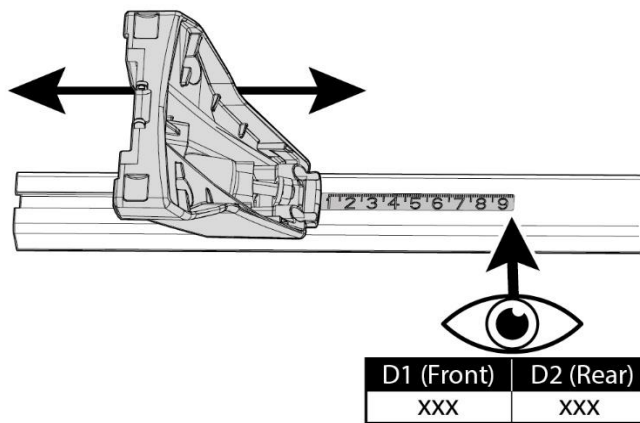
MANUFACTURER	MODEL CAR	DOORS	MODEL YEAR	A1	A2	A1	A2
				cm	cm	in	in
VOLKSWAGEN	Polo VI (AW)	5	17>21	22	42	8,7	16,5
VOLKSWAGEN	Polo VI (AE1)	6	21>	22	42	8,7	16,5



MANUAL DELTA

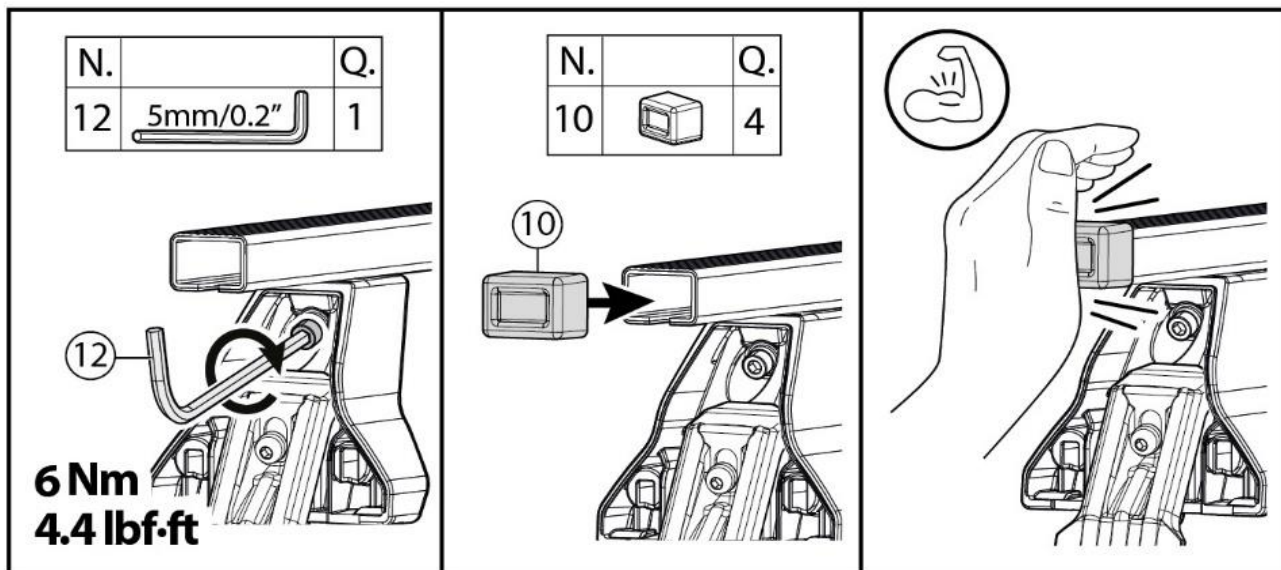
FIXING KIT OMEGA

2

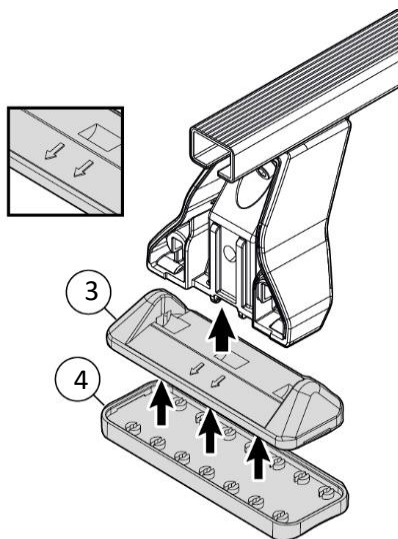


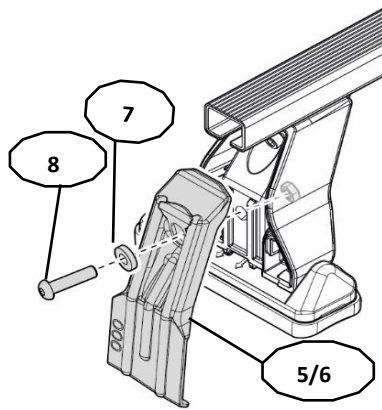
MANUFACTURER	MODEL CAR	DOORS	MODEL YEAR	D1	D2
VOLKSWAGEN	Polo VI (AW)	5	17>21	12,9	9,4
VOLKSWAGEN	Polo VI (AE1)	5	21>	12,9	9,4

3

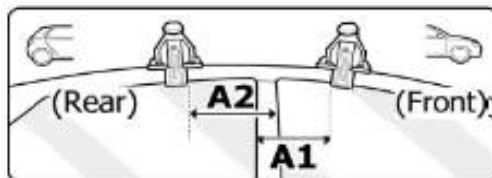
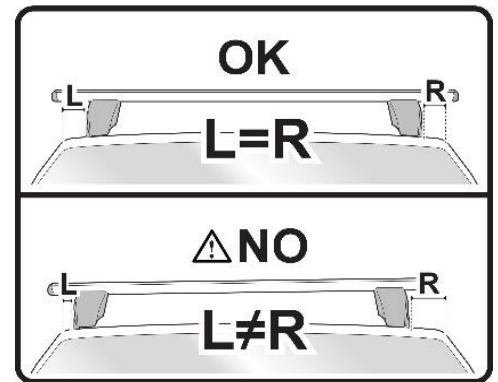
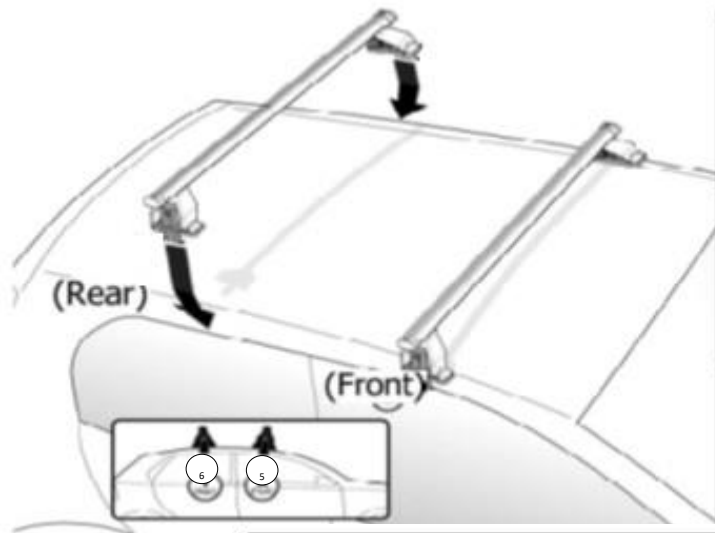


4

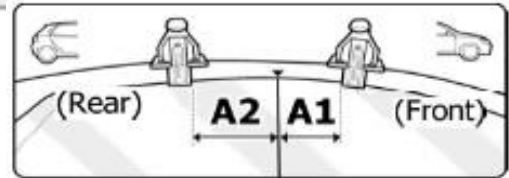




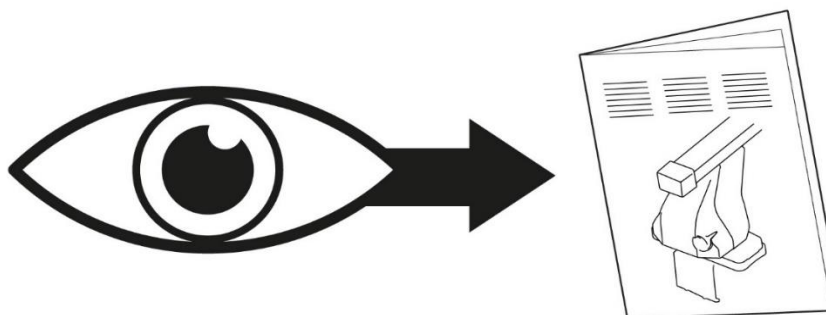
Front	Rear
5	6
13R	13R
2X	2X



OR



MANUFACTURER	MODEL CAR	DOORS	MODEL YEAR	A1	A2	A1	A2
				cm	cm	in	in
VOLKSWAGEN	Polo VI (AW)	5	17>21	22	42	8,7	16,5
VOLKSWAGEN	Polo VI (AE1)	6	21>	22	42	8,7	16,5



MANUAL OMEGA

NOTE:
