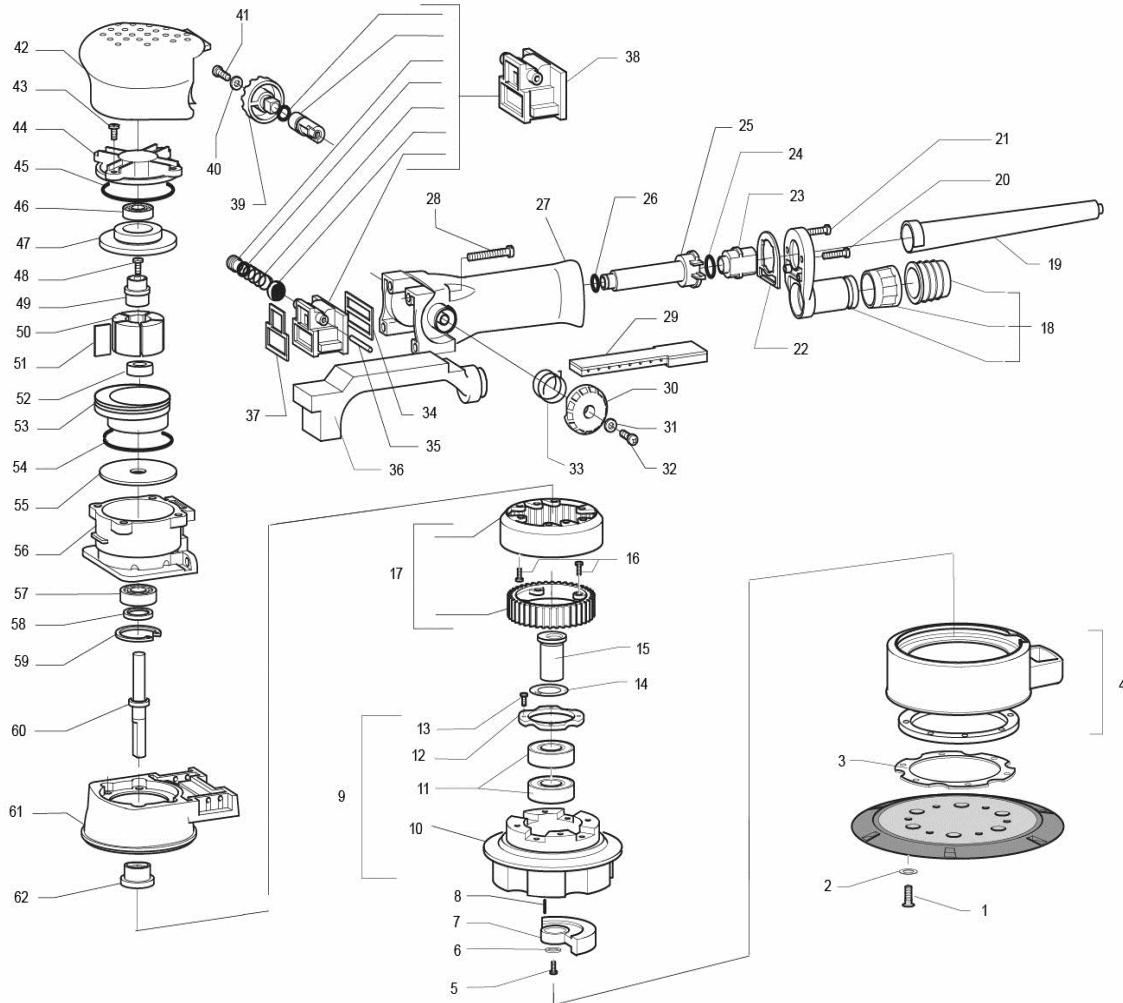


LEVIGATRICE ROTOECCENTRICA PNEUMATICA CON ASPIRAZIONE
PNEUMATIC PLANETARY SANDER WITH DUST EXTRACTION

AK150A



ID	ITEM	DESCRIPTION
001	9.614	SCRE M4 x 12 T.C.C. d7,7 BRN 8.8
001	9.2001	O-RING 2031
002	9.252	STEEL WASHER d 7,6x4,4 s1,8 autobl. NL4D AK150
003	68.252	WASHER Flexoid Ø81x62x1 C/F. 6 + slots
004	65.278/C	SUCTION SHROUD COMPLETE EK150AE
005	9.676	SCREW M5 x 18 T.C.C. BURNISHED
006	9.251	STEEL WASHER d 9 x 5,4 s 1,8 autobl. NL5D AK200
007	57.278	COUNTERWEIGHT
008	9.518	ELASTIC PLUG d 3,5x8 DIN 1481
009	331.185/C	PADS HOLDER CUP
011	9.179/10	BEARING NSK 6203 DDW1 CM D EA3 S6
012	35.155	RING NUT LOCKING BEARING
013	9.6150	SCREW M4 x 12 T.S.P. BURNISHED Cl.88
014	9.347	STEEL WASHER d28 x17,1 s 0,3
015	56.278	ECCENTRIC 2.4 EK150AE
016	9.6154	SCREW M4 x 16 ACC.8.8 T.CROSS D.10 BRU.
017	521.090/C	GEAR FOR FLANGE/CUP
018	42.150/C	COMPLETE END CONNECTION
019	82.150	EXHAUST PIPE
020	9.708	SCREW 4 x25 TGS BURNISHED
021	9.709	SCREW 4 x30 TGS BURNISHED
022	421.150	TK251A TERMINAL GASKET
023	43.150/C	AIR ENTRY CONNECTOR
024	9.2006	O-RING 2050
025	46.150	INSERT HANDLE
027	44.150/C	LONG HANDLE+INSERT
028	9.667	SCREW M4 x 40 TC BURNISHED
029	661.150	SILENCER
030	38.150	SWITCH-ON KNOB TA551
031	9.346	STEEL WASHER SL42AE 4x10x0,5
032	9.624	SCREW M4 x 10 T.C.C. BURNISHED
033	381.150	STARTING SPRING
034	692.150	BACK GASKET
035	9.2008	ROLL d 3 x23,8
036	67.174	SUCTION PIPE BLACK
037	691.150	FRONT GASKET TK251A
038	29.186/C	VALVE GROUP
039	30.150	REGULATOR KNOB
040	9.346	STEEL WASHER SL42AE 4x10x0,5
041	9.619	SCREW M4 x 23 T.C.C.BURNISHED
042	81.150	CAP
043	9.614	SCRE M4 x 12 T.C.C. d7,7 BRN 8.8
044	33.150	COVER
045	9.2005	O-RING 3218
046	9.46/10	BEARING 6001 ZZ C3
047	261.150	UPPER HEAD
048	9.633	SCREWM5 x 20 T.B.E. 12K BURNISHED
049	566.150	LOCKING SHAFT
050	1.150/C	ROTOR
051	18.152/C6/10	VANE KLFF/C6 SLP41A/TA551A/TA562AN 10pcs.
052	54.150	SPACER
053	2.152	CYLINDER
054	9.2005	O-RING 3218
055	28.150	LOWER DISK
056	312.150	TA551A MOTOR BODY
057	9.31/10	BEARING 6201 ZZ C2

ID	ITEM	DESCRIPTION
058	9.314	STEEL WASHER d31,9 x 26 s 0,1
059	9.124	SEEGER d.32 for inner
060	51.185	ROTOR SHAFT
061	36.185	FLANGE
062	54.185	SPACER FOR CUP